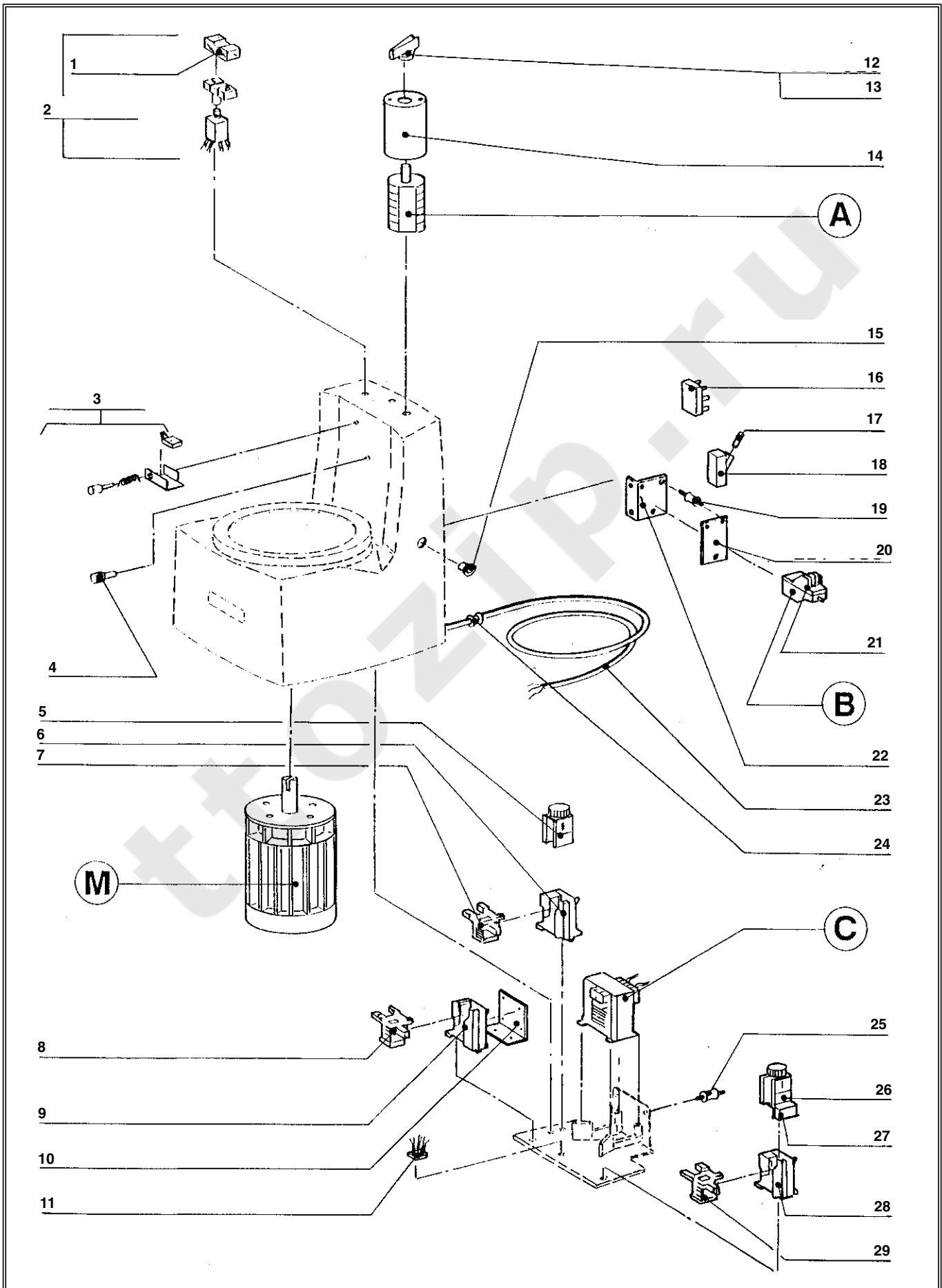


INDEX	REF.	DESIGNATION	Pricelist in : EUR
1	59961	R60B LID SWITCH ACTUATOR	6,35
2	500280	PLASTIC CAP KNOB	2,65
3	59026	R25B LID COVER	25,10
4	100913	CLAMP KNOB	43,15
5	59631	R25B LID LOCK KNOB ASSEMBLY	94,75
6	100965	R60B LID SEAL-12MM SQUARE	41,05
7	59896	R25B LID ASSEMBLY	301,65
8	59830	BOWL ASS	754,90
9	100914	R25B BOWL LOCK KNOB-METAL	41,05
10	504449	R25B BOWL SEAL	2,45
11	501710	R800 MOTOR SEAL 30x40x8	3,15
12	59104	SEALING SOCKET ASS	86,60
13	59885	SPACER ASS	444,90
14	500445	C120 PADDLE ASS LOCK KNOB	4,50
15	59950	PIN ASSEMBLY	9,45
16	400299	CONTROL PANNEL PLATE	29,20
17	59028	BASE ASS	679,25
18	400743	FRONT PLATE	12,35
19	59455	R25B WHEEL & BRACKET	55,45
20	59037	R25B HINGE PIN	17,15
21	206448	BALL DRIVER NUT	10,60
22	505220	BALL DRIVER	20,55
23	127710	R25B S.10 SWITCH SEAL	8,25
24	59730	R25B S.10 HINGE BRACKET	70,05
25	59021	SHOULDERED RING ASS	6,25
26	127700	R25 S.10 BOWL MAGNET BLOCK	11,55
27	501000	R8 MAGNET	0,65
28	101822	R25BA SOCKET KEY	38,05
29	101729	SPACER	433,00
30	59500	HANDLE ASS	16,65
31	126500	ACCESS FLAP DOOR	98,70
32	126577	ACCESS FLAP DOOR SEAL	26,45
33	59807	R25 S5 MOTOR SUPPORT	8,70
34	116798	R60B FOOT	9,25



- (A)** R25B S.10 ROTARY SWITCH
- (B)** R25B OVERLOAD RELAY 13-18A
- (C)** TRANSFORMER
- (M)** MOTOR

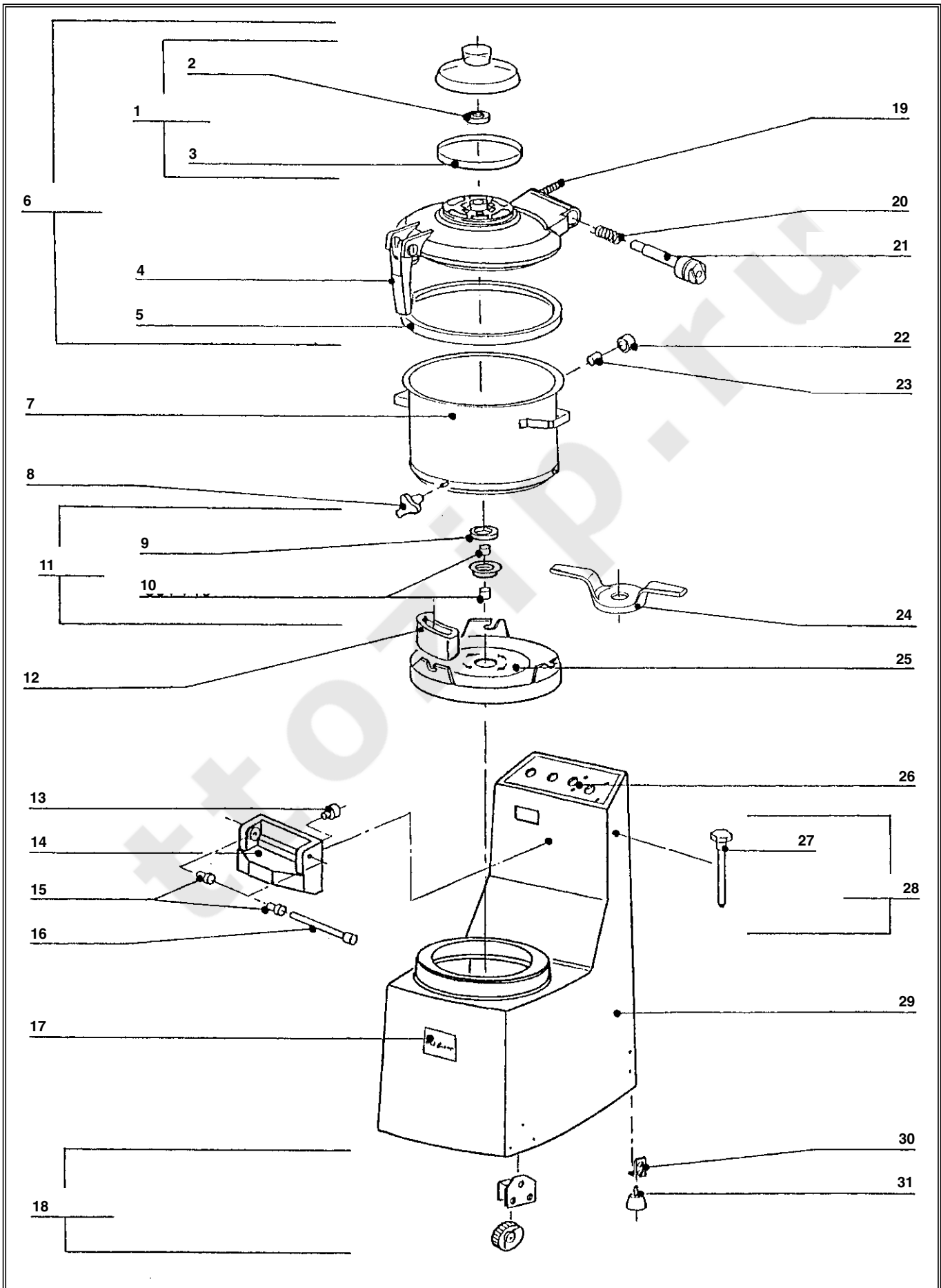
INDEX	REF.	DESIGNATION	Pricelist in : EUR
1	511600	WATER-TIGHT CAP	9,55
2	69718	CONTACT SWITCH	80,25
3	59010	R25B S.10 LID SWITCH ASSEMBLY	61,60
4	69817	R40B REED SWITCH ASSEMBLY	37,00
5	508860	R60BA TIMER DIAL	111,80
6	509223	R60BA CONTACTOR 48V CA2 DN22E7	62,40
7	509784	COIL D 09 48 V	64,15
8	515405	COIL D 16 48 V	85,50
9	515372	CONTACTOR 25 A	128,15
10	141504	CONTACTOR SUPPORT	10,85
11	511621	R25B RECTIFIER	28,65
12	502810	R800 SWITCH HANDLE-STAR	13,55
13	130174	R800 SWITCH HANDLE-HEX	12,95
14	120923	R25B ROTARY SWITCH COWL	30,90
15	108339	R25B OVERLOAD RELAY SEAL	3,90
16	504823	SWITCH GEAR	41,00
17	511643	FUSE	2,95
18	511632	FUSE SUPPORT	12,75
19	59213	R25B S.10 SHOCK ABSORBER	2,80
20	127655	ABSORBER ASS	7,10
21	511544	RELAY SUPPORT	24,10
22	107074	DISCONNECTOR SUPPORT	13,05
23	500566	POWER CORD	47,30
24	118822	WIRE DUCT	6,50
25	514778	R10 SHOCK ABSORBER	9,30
26	508860	R60BA TIMER DIAL	111,80
27	511533	ADDITIONAL CONTACT	20,15
28	511555	R25B CONTACTOR LC1 D253E 48V	123,15
29	515405	COIL D 16 48 V	85,50

robot coupe

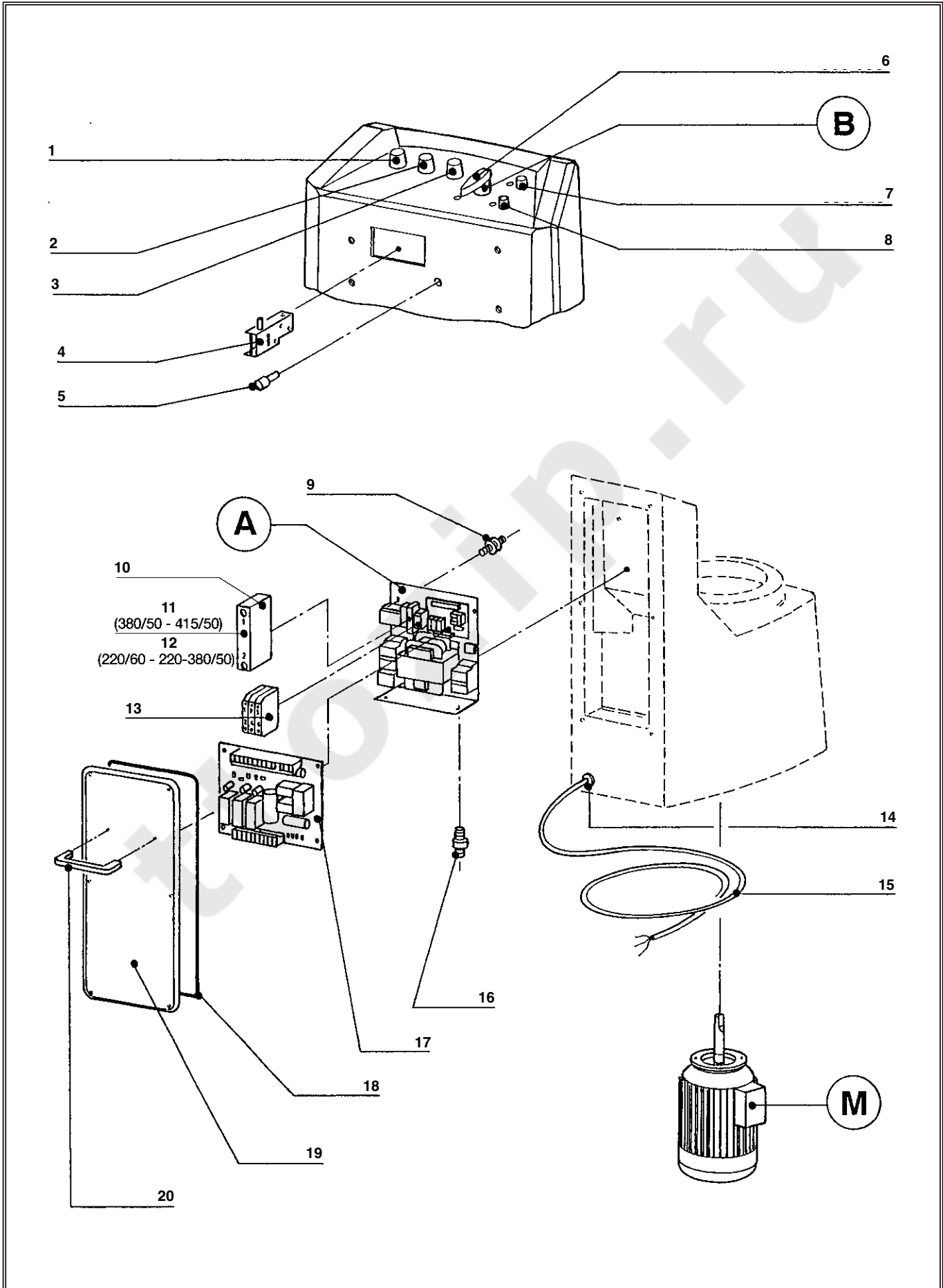
R25 Série 10

Pricelist in : EUR

N°	M	Voltage	A	B	C	
52140	302021 1 030,10	220-380 / 50 / 3	511676 384,30	503954 96,85	511940 256,30	
52151	302028 997,60	380 / 50 / 3	59064 252,75	503965 91,20	59066 256,30	
52173	302019 997,60	220 / 60 / 3	59064 252,75	503954 96,85	511940 256,30	



INDEX	REF.	DESIGNATION	Pricelist in : EUR
1	502639	R10 LID CENTRE SEAL	1,85
2	500907	R10 LID COVER SEAL	7,55
3	29108	R10 LID COVER	41,05
4	59099	R25BA LID LATCH ASSEMBLY	97,70
5	101733	R25A LID SEAL 20MM	41,05
6	59105	R25BA LID ASSEMBLY	301,65
7	59102	R25BA BOWL	754,90
8	100914	R25B BOWL LOCK KNOB-METAL	41,05
9	504449	R25B BOWL SEAL	2,45
10	501710	R800 MOTOR SEAL 30x40x8	3,15
11	59104	SEALING SOCKET ASS	86,60
12	117146	BLADE DISMONTING HOLDER	13,70
13	102044	R25/R40 SAFETY FINGER	10,40
14	59101	HINGE ASS	70,05
15	105875	R25B HINGE BUSH	2,00
16	59098	HINGE PIN ASS	31,70
17	400743	FRONT PLATE	12,35
18	59455	R25B WHEEL & BRACKET	55,45
19	101316	R10/R20 S5 SAFETY FINGER	2,75
20	101659	R25BA LID SPRING	51,05
21	101657	LID SHAFT	102,05
22	101990	R25A/R40A MAGNET CAP	10,15
23	501000	R8 MAGNET	0,65
24	101822	R25BA SOCKET KEY	38,05
25	101729	SPACER	433,00
26	401137	CONTROL PANNEL PLATE	29,20
27	500445	C120 PADDLE ASS LOCK KNOB	4,50
28	59950	PIN ASSEMBLY	9,45
29	59097	BASE ASS	679,25
30	59807	R25 S5 MOTOR SUPPORT	8,70
31	116798	R60B FOOT	9,25



- (A)** ELECTRIC CIRCUIT BOARD
- (B)** R10 ROTARY SWITCH
- (M)** MOTOR

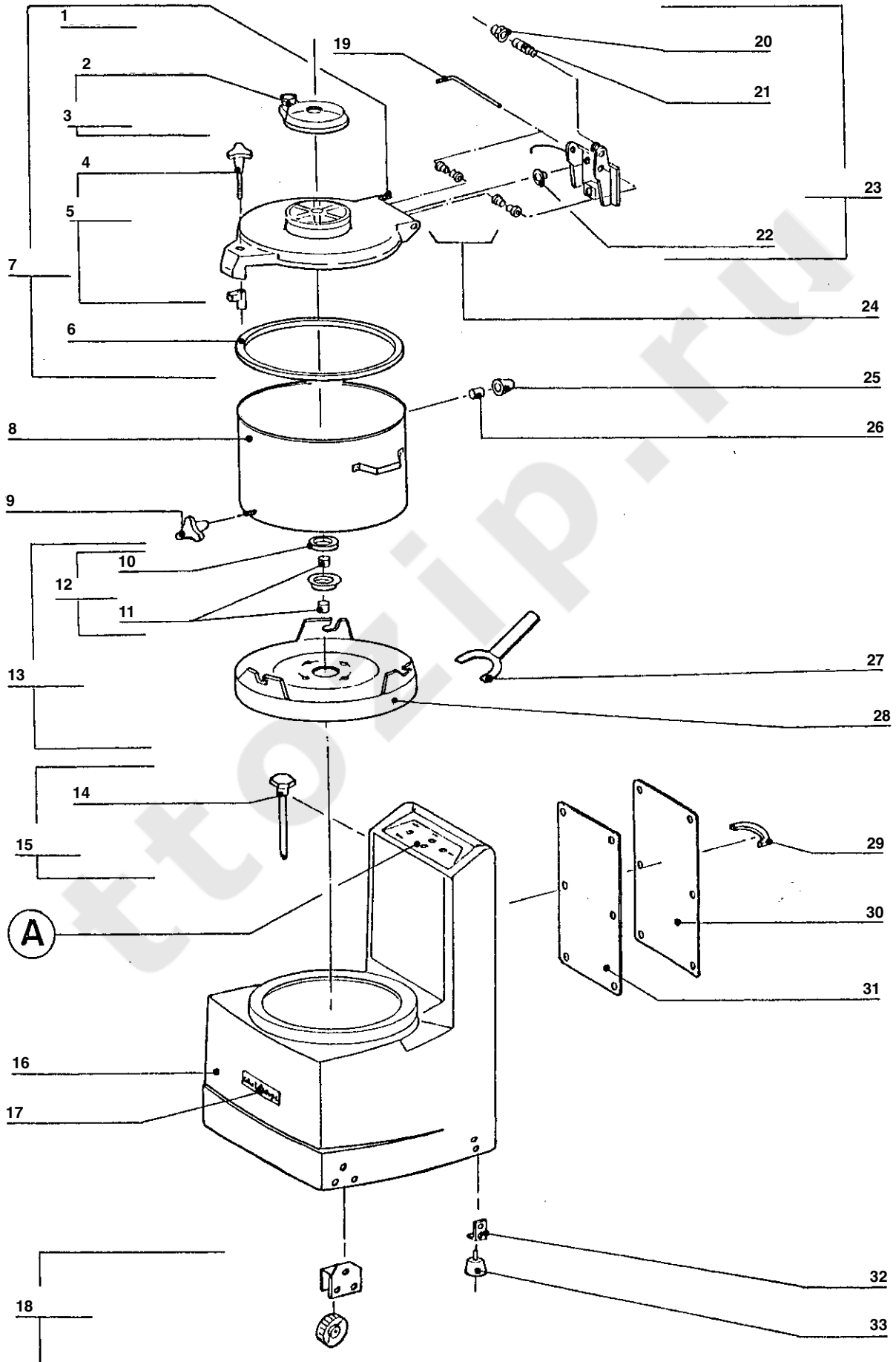
INDEX	REF.	DESIGNATION	Pricelist in : EUR
1	500321	RED KNOB	32,90
2	500322	GREEN KNOB	32,90
3	500301	BLACK KNOB	31,85
4	29262	R10a SAFTEY SWITCH ASSEMBLY	62,65
5	29318	R25BA REED SWITCH ASSEMBLY	37,00
6	500556	R10 ROTARY SWITCH HANDLE	14,80
7	500520	R10 CLEAR INDICATOR	6,75
8	500518	R10 GREEN INDICATOR	6,75
9	502876	ABSORBER	7,60
10	503115	8X31 FUSE THERMINAL	10,85
11	503111	8X31 12AGG FUSE	5,05
12	503112	8X31 20A GL FUSE	4,30
13	29165	FUSE ASS	24,25
14	501773	WIRE DUCT	4,40
15	502686	POWER CORD	85,60
16	514778	R10 SHOCK ABSORBER	9,30
17	29070	R10 PCB	127,05
18	101734	ACCESS FLAP DOOR SEAL	24,40
19	101660	ACCESS FLAP DOOR	110,75
20	500561	CL60 HANDLE	33,75

robot coupe

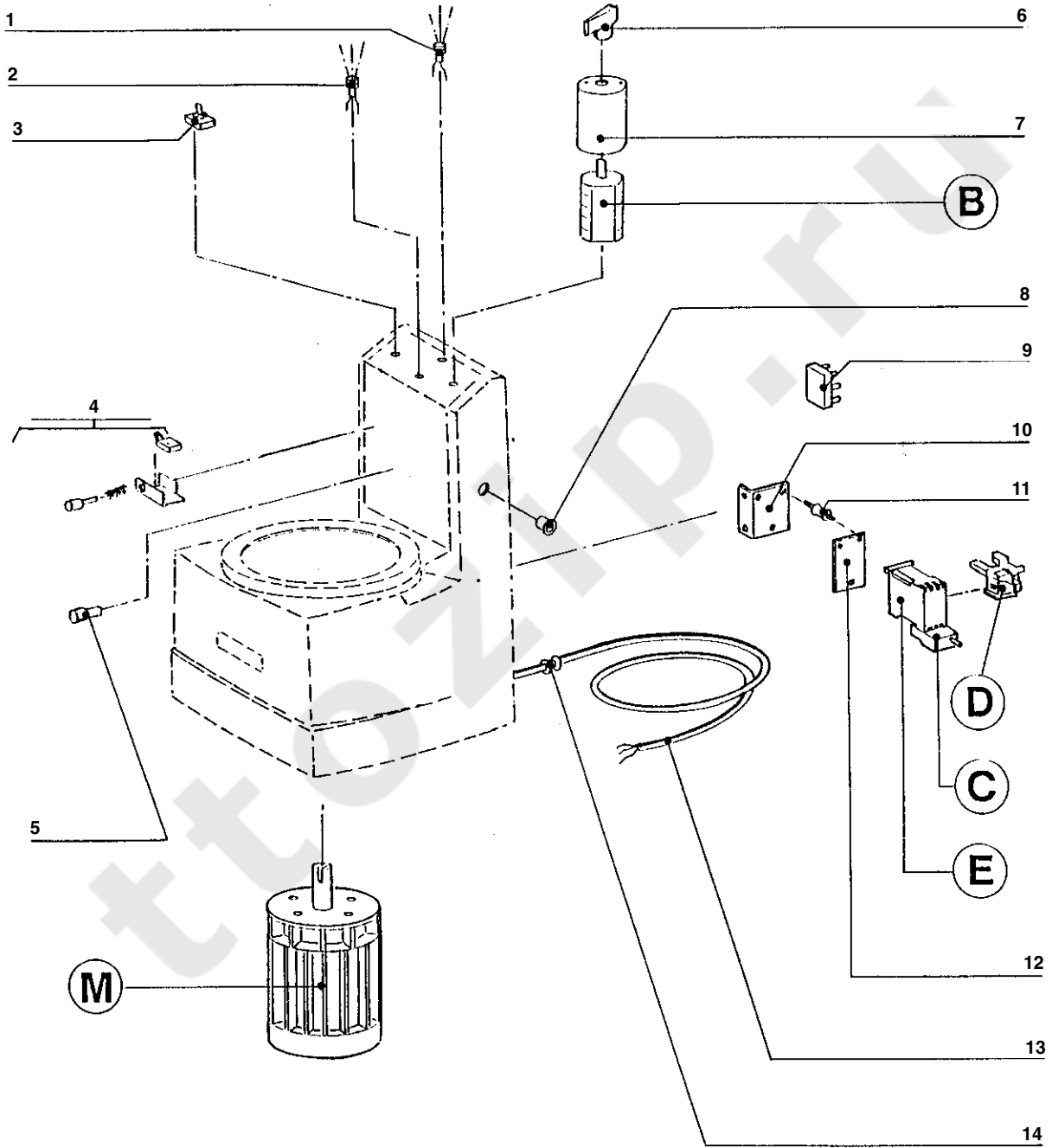
R25 "A"

Pricelist in : EUR

N°	M	Voltage	A	B	
52280	302028 997,60	380 / 50 / 3	59046 805,60	502637 107,65	
52281	302021 1 030,10	220-380 / 50 / 3	59047 805,60	500550 183,10	
52282	302019 997,60	220 / 60 / 3	59047 805,60	502637 107,65	



INDEX	REF.	DESIGNATION	Pricelist in : EUR
1	59961	R60B LID SWITCH ACTUATOR	6,35
2	500280	PLASTIC CAP KNOB	2,65
3	59026	R25B LID COVER	25,10
4	100913	CLAMP KNOB	43,15
5	59631	R25B LID LOCK KNOB ASSEMBLY	94,75
6	100965	R60B LID SEAL-12MM SQUARE	41,05
7	59896	R25B LID ASSEMBLY	301,65
8	59830	BOWL ASS	754,90
9	100914	R25B BOWL LOCK KNOB-METAL	41,05
10	504449	R25B BOWL SEAL	2,45
11	501710	R800 MOTOR SEAL 30x40x8	3,15
12	59104	SEALING SOCKET ASS	86,60
13	59885	SPACER ASS	444,90
14	500445	C120 PADDLE ASS LOCK KNOB	4,50
15	59950	PIN ASSEMBLY	9,45
16	59029	BASE ASS	679,25
17	400743	FRONT PLATE	12,35
18	59455	R25B WHEEL & BRACKET	55,45
19	59037	R25B HINGE PIN	17,15
20	206448	BALL DRIVER NUT	10,60
21	505220	BALL DRIVER	20,55
22	127710	R25B S.10 SWITCH SEAL	8,25
23	59730	R25B S.10 HINGE BRACKET	70,05
24	59021	SHOULDERED RING ASS	6,25
25	127700	R25 S.10 BOWL MAGNET BLOCK	11,55
26	501000	R8 MAGNET	0,65
27	101822	R25BA SOCKET KEY	38,05
28	101729	SPACER	433,00
29	59500	HANDLE ASS	16,65
30	126500	ACCESS FLAP DOOR	98,70
31	126577	ACCESS FLAP DOOR SEAL	26,45
32	59807	R25 S5 MOTOR SUPPORT	8,70
33	116798	R60B FOOT	9,25



- (A)** FRONT PLATE R25 S5
- (B)** COMMUTATOR
- (C)** R25B OVERLOAD RELAY 13-18A
- (D)** COIL
- (E)** CONTACTOR
- (M)** MOTOR

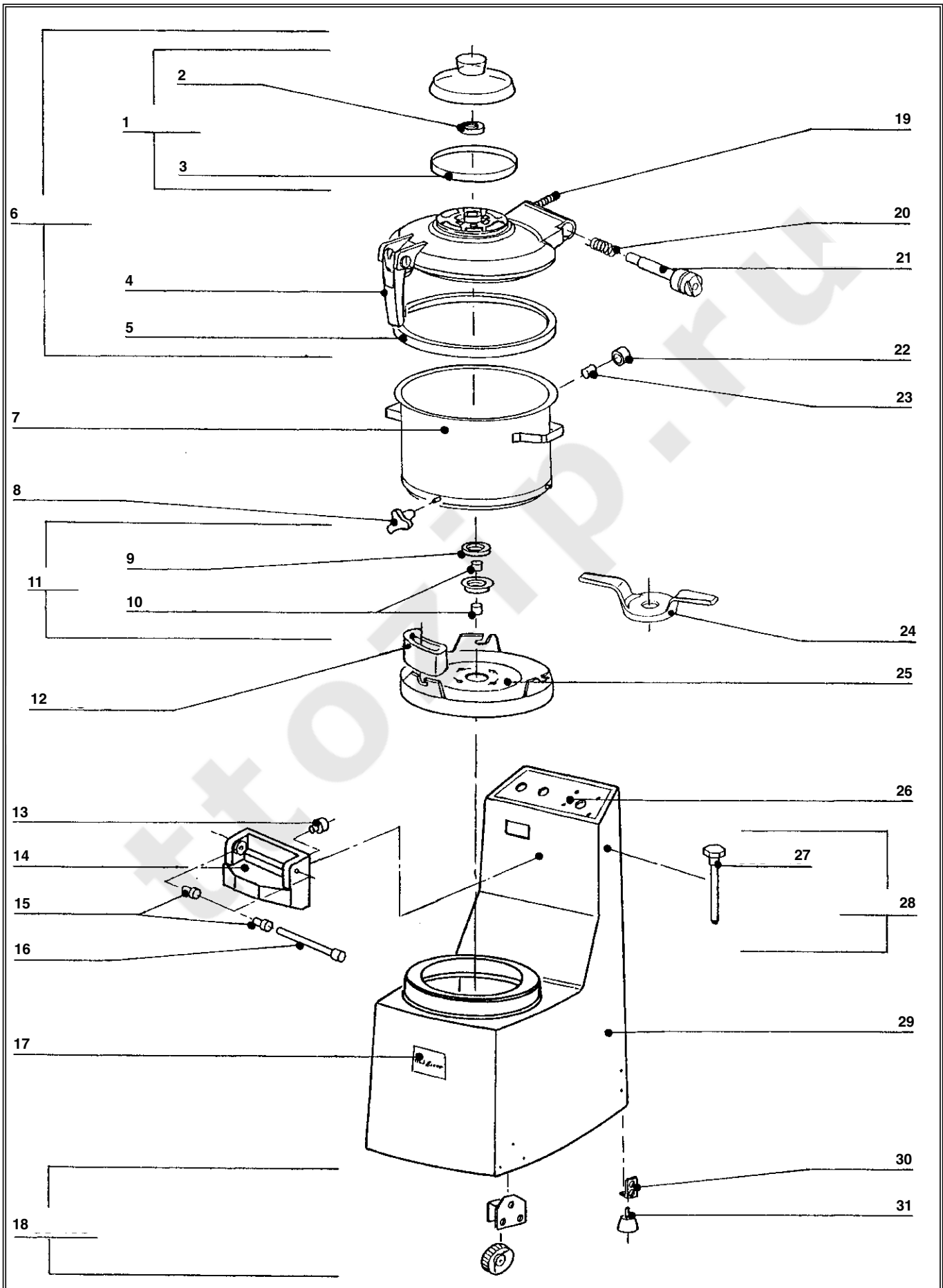
INDEX	REF.	DESIGNATION	Pricelist in : EUR
1	502898	R25B INDICATOR-ORANGE	7,70
2	502788	GREEN LAMP	9,05
3	29106	R25B ON/OFF SWITCH-TOGGLE	12,85
4	59010	R25B S.10 LID SWITCH ASSEMBLY	61,60
5	69817	R40B REED SWITCH ASSEMBLY	37,00
6	502810	R800 SWITCH HANDLE-STAR	13,55
7	120923	R25B ROTARY SWITCH COWL	30,90
8	108339	R25B OVERLOAD RELAY SEAL	3,90
9	504823	SWITCH GEAR	41,00
10	107074	DISCONNECTOR SUPPORT	13,05
11	59213	R25B S.10 SHOCK ABSORBER	2,80
12	112750	ABSORBER SUPPORT	8,25
13	500566	POWER CORD	47,30
14	118822	WIRE DUCT	6,50

robot coupe®

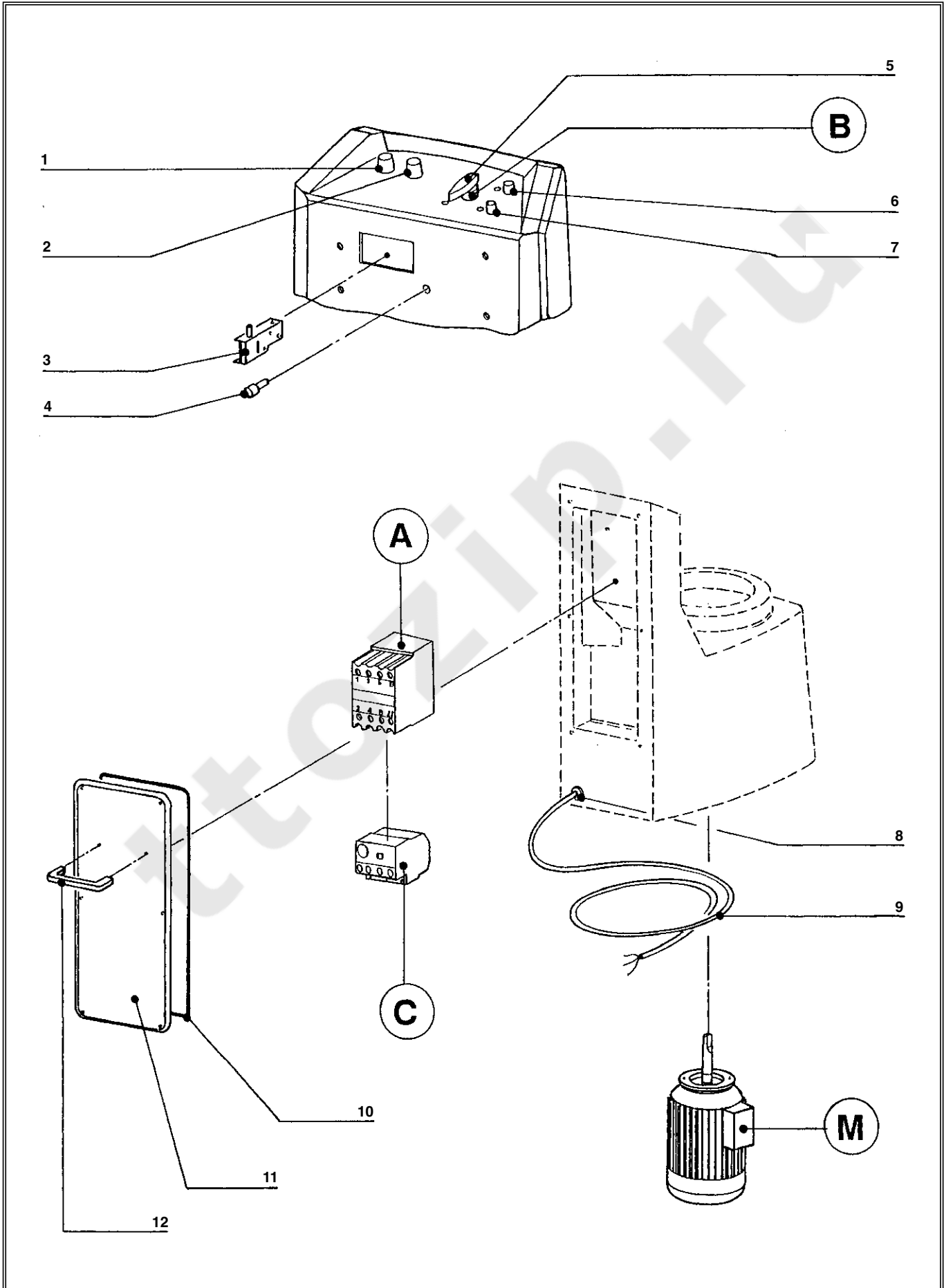
R25 Série 5

Pricelist in : EUR

N°	M	Voltage	A	B	C	D	E	
52184	302019 997,60	220 / 60 / 3	400303 29,20	59062 140,45	503954 96,85	504097 40,65	503899 123,15	
52195	302028 997,60	380 / 50 / 3	400303 29,20	59062 140,45	503965 91,20	507640 111,05	507639 127,50	
52217	302021 1 030,10	220-380 / 50 / 3	400298 29,20	59063 249,05	503954 96,85	507640 111,05	507639 127,50	



INDEX	REF.	DESIGNATION	Pricelist in : EUR
1	29108	R10 LID COVER	41,05
2	502639	R10 LID CENTRE SEAL	1,85
3	500907	R10 LID COVER SEAL	7,55
4	59099	R25BA LID LATCH ASSEMBLY	97,70
5	101733	R25A LID SEAL 20MM	41,05
6	59105	R25BA LID ASSEMBLY	301,65
7	59102	R25BA BOWL	754,90
8	100914	R25B BOWL LOCK KNOB-METAL	41,05
9	504449	R25B BOWL SEAL	2,45
10	501710	R800 MOTOR SEAL 30x40x8	3,15
11	59104	SEALING SOCKET ASS	86,60
12	117146	BLADE DISMONTING HOLDER	13,70
13	102044	R25/R40 SAFETY FINGER	10,40
14	59101	HINGE ASS	70,05
15	105875	R25B HINGE BUSH	2,00
16	59098	HINGE PIN ASS	31,70
17	400743	FRONT PLATE	12,35
18	59455	R25B WHEEL & BRACKET	55,45
19	101316	R10/R20 S5 SAFETY FINGER	2,75
20	101659	R25BA LID SPRING	51,05
21	101657	LID SHAFT	102,05
22	101990	R25A/R40A MAGNET CAP	10,15
23	501000	R8 MAGNET	0,65
24	101822	R25BA SOCKET KEY	38,05
25	101729	SPACER	433,00
26	401231	R25A CONTROL PANEL PLATE	29,20
27	500445	C120 PADDLE ASS LOCK KNOB	4,50
28	59950	PIN ASSEMBLY	9,45
29	59110	BASE ASS	679,10
30	59807	R25 S5 MOTOR SUPPORT	8,70
31	116798	R60B FOOT	9,25



- (A)** CONTACTOR
- (B)** R10 ROTARY SWITCH
- (C)** R25B OVERLOAD RELAY 13-18A
- (M)** MOTOR

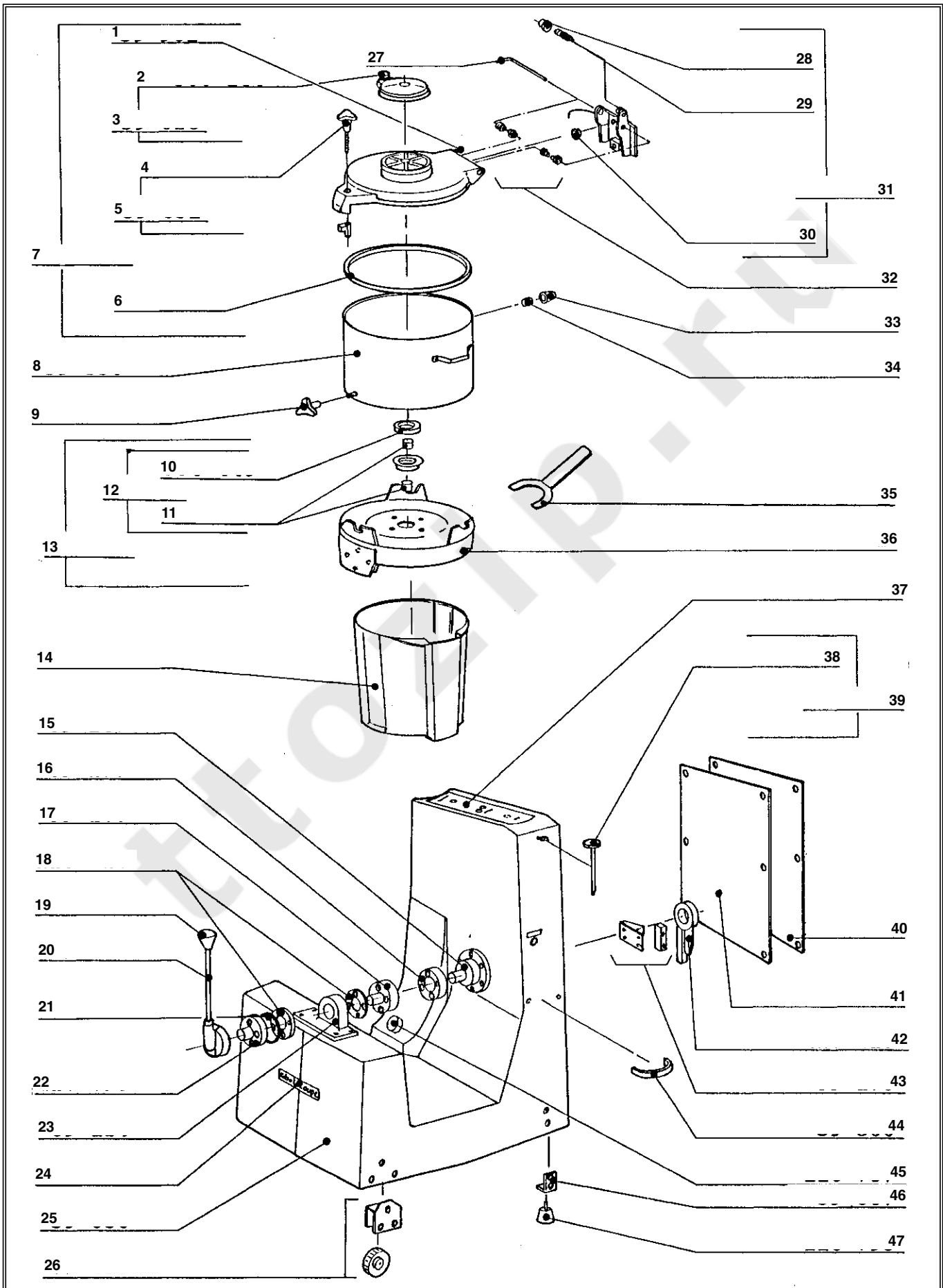
INDEX	REF.	DESIGNATION	Pricelist in : EUR
1	500321	RED KNOB	32,90
2	500322	GREEN KNOB	32,90
3	29270	R10 (D) SAFETY SWITCH ASS	62,65
4	29318	R25BA REED SWITCH ASSEMBLY	37,00
5	500556	R10 ROTARY SWITCH HANDLE	14,80
6	505252	CRISTAL LAMP	7,70
7	502788	GREEN LAMP	9,05
8	501773	WIRE DUCT	4,40
9	502686	POWER CORD	85,60
10	101734	ACCESS FLAP DOOR SEAL	24,40
11	101660	ACCESS FLAP DOOR	110,75
12	500561	CL60 HANDLE	33,75

robot coupe

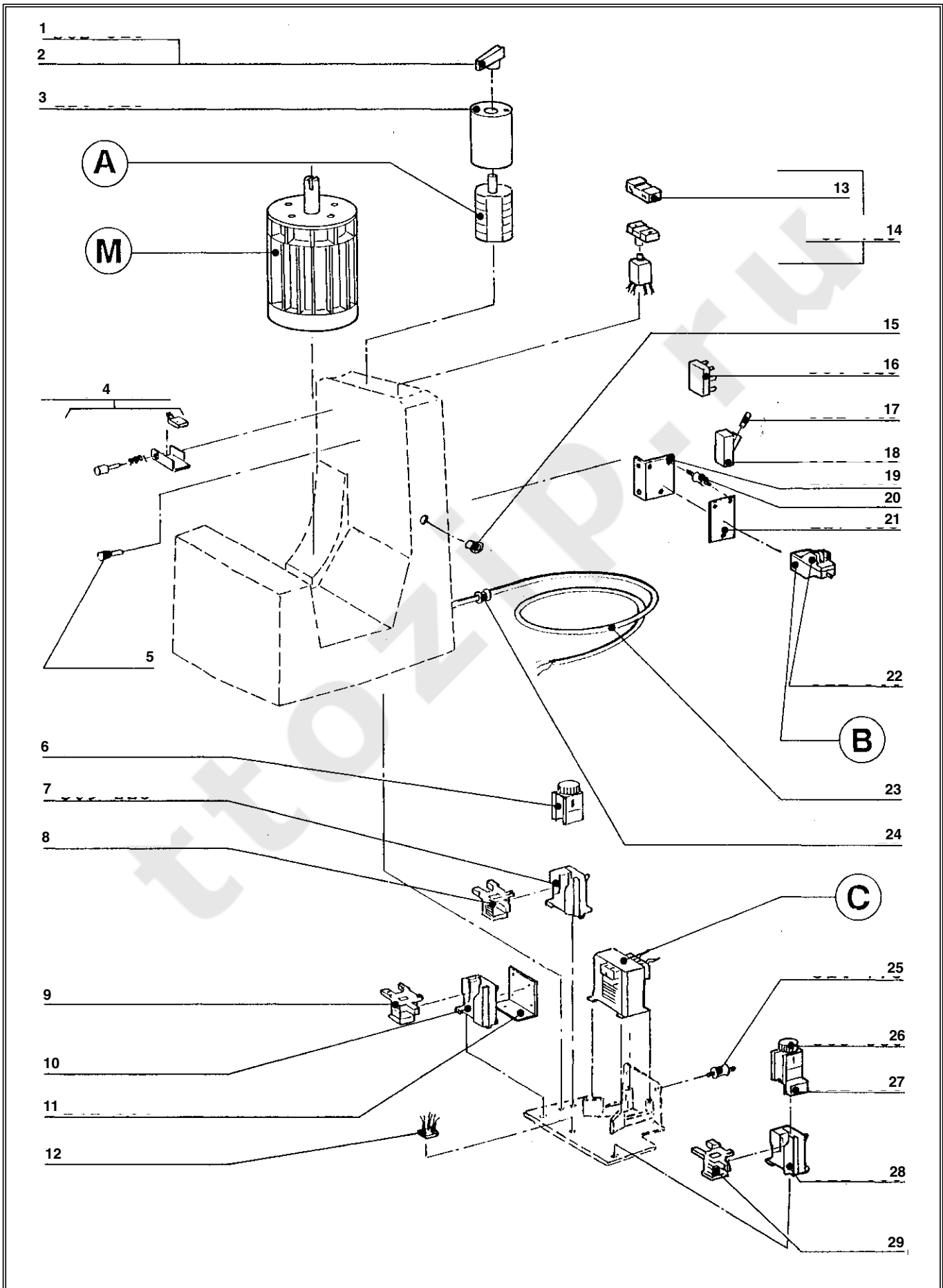
R25 "A" Série 5

Pricelist in : EUR

N°	M	Voltage	A	B	C	
52284	302028 997,60	380 / 50 / 3	507639 127,50	502637 107,65	503965 91,20	
52285	302021 1 030,10	220/380 / 50 / 3	507639 127,50	500550 183,10	503954 96,85	
52286	302019 997,60	220 / 60 / 3	503899 123,15	502637 107,65	503954 96,85	



INDEX	REF.	DESIGNATION	Pricelist in : EUR
1	59961	R60B LID SWITCH ACTUATOR	6,35
2	500280	PLASTIC CAP KNOB	2,65
3	59026	R25B LID COVER	25,10
4	100913	CLAMP KNOB	43,15
5	59631	R25B LID LOCK KNOB ASSEMBLY	94,75
6	100965	R60B LID SEAL-12MM SQUARE	41,05
7	59896	R25B LID ASSEMBLY	301,65
8	59830	BOWL ASS	754,90
9	100914	R25B BOWL LOCK KNOB-METAL	41,05
10	504449	R25B BOWL SEAL	2,45
11	501710	R800 MOTOR SEAL 30x40x8	3,15
12	59104	SEALING SOCKET ASS	86,60
13	69037	R25B MOTOR SUPPORT	527,80
14	69113	MOTOR COVER ASS	294,80
15	69147	R60BA VERTICAL BEARING BLOCK	101,40
16	69157	TILTING BLOCK AXE	205,50
17	59103	TILTING FRONT AXE	178,15
18	110418	R60B BRONZE COLLAR	64,95
19	100384	R60 TILT ARM KNOB	37,75
20	69135	TILTING ARM ASS	116,75
21	101770	LOCKING NUT FLANGE	19,15
22	110495	R25B TILT ARM COLLAR	100,85
23	69124	R25B TILT ARM BRACKET	353,10
24	400744	FRONT PLATE	11,30
25	59030	BASE ASS	830,50
26	59455	R25B WHEEL & BRACKET	55,45
27	59037	R25B HINGE PIN	17,15
28	206448	BALL DRIVER NUT	10,60
29	505220	BALL DRIVER	20,55
30	127710	R25B S.10 SWITCH SEAL	8,25
31	59730	R25B S.10 HINGE BRACKET	70,05
32	59021	SHOULDERED RING ASS	6,25
33	127700	R25 S.10 BOWL MAGNET BLOCK	11,55
34	501000	R8 MAGNET	0,65
35	101822	R25BA SOCKET KEY	38,05
36	101731	SPACER	429,75
37	400320	CONTROL PANNEL PLATE	32,30
38	500445	C120 PADDLE ASS LOCK KNOB	4,50
39	59950	PIN ASSEMBLY	9,45
40	126511	ACCESS FLAP DOOR	86,55
41	126588	ACCESS FLAP DOOR SEAL	30,80
42	116413	THRUST ARM	84,75
43	59170	NYLON THRUST BLOCK	44,20
44	59500	HANDLE ASS	16,65
45	116787	BOWL THRUST	10,70
46	59807	R25 S5 MOTOR SUPPORT	8,70
47	116798	R60B FOOT	9,25



- (A)** R25B S.10 ROTARY SWITCH
- (B)** R25B OVERLOAD RELAY 13-18A
- (C)** TRANSFORMER
- (M)** MOTOR

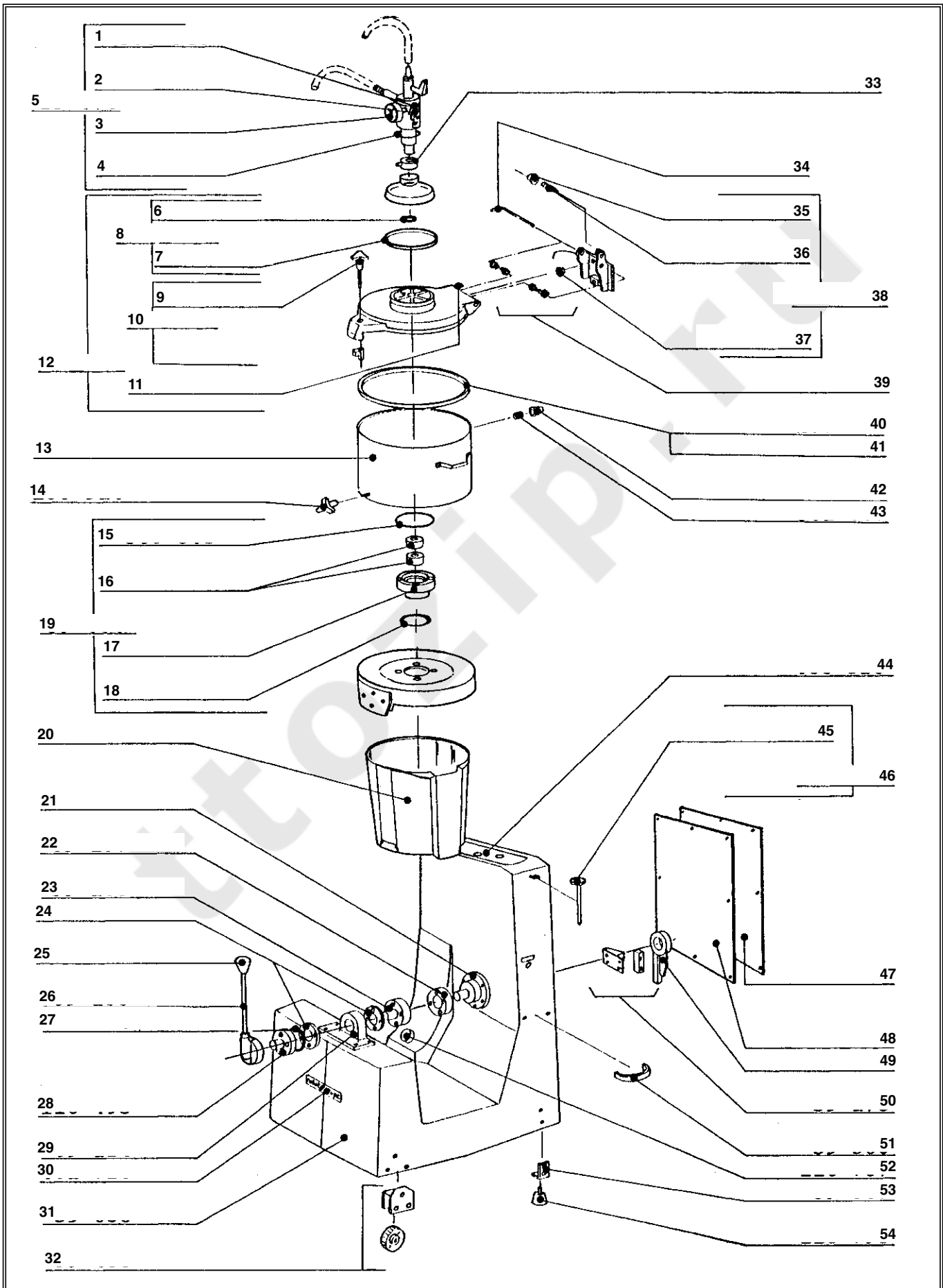
INDEX	REF.	DESIGNATION	Pricelist in : EUR
1	502810	R800 SWITCH HANDLE-STAR	13,55
2	130174	R800 SWITCH HANDLE-HEX	12,95
3	120923	R25B ROTARY SWITCH COWL	30,90
4	59010	R25B S.10 LID SWITCH ASSEMBLY	61,60
5	69817	R40B REED SWITCH ASSEMBLY	37,00
6	508860	R60BA TIMER DIAL	111,80
7	509223	R60BA CONTACTOR 48V CA2 DN22E7	62,40
8	509784	COIL D 09 48 V	64,15
9	515405	COIL D 16 48 V	85,50
10	515372	CONTACTOR 25 A	128,15
11	141504	CONTACTOR SUPPORT	10,85
12	511621	R25B RECTIFIER	28,65
13	511600	WATER-TIGHT CAP	9,55
14	69718	CONTACT SWITCH	80,25
15	108339	R25B OVERLOAD RELAY SEAL	3,90
16	504823	SWITCH GEAR	41,00
17	511643	FUSE	2,95
18	511632	FUSE SUPPORT	12,75
19	100984	DISCONNECTOR SUPPORT	26,75
20	59213	R25B S.10 SHOCK ABSORBER	2,80
21	127655	ABSORBER ASS	7,10
22	511544	RELAY SUPPORT	24,10
23	500566	POWER CORD	47,30
24	118822	WIRE DUCT	6,50
25	514778	R10 SHOCK ABSORBER	9,30
26	508860	R60BA TIMER DIAL	111,80
27	511533	ADDITIONAL CONTACT	20,15
28	511555	R25B CONTACTOR LC1 D253E 48V	123,15
29	515405	COIL D 16 48 V	85,50

robot coupe®

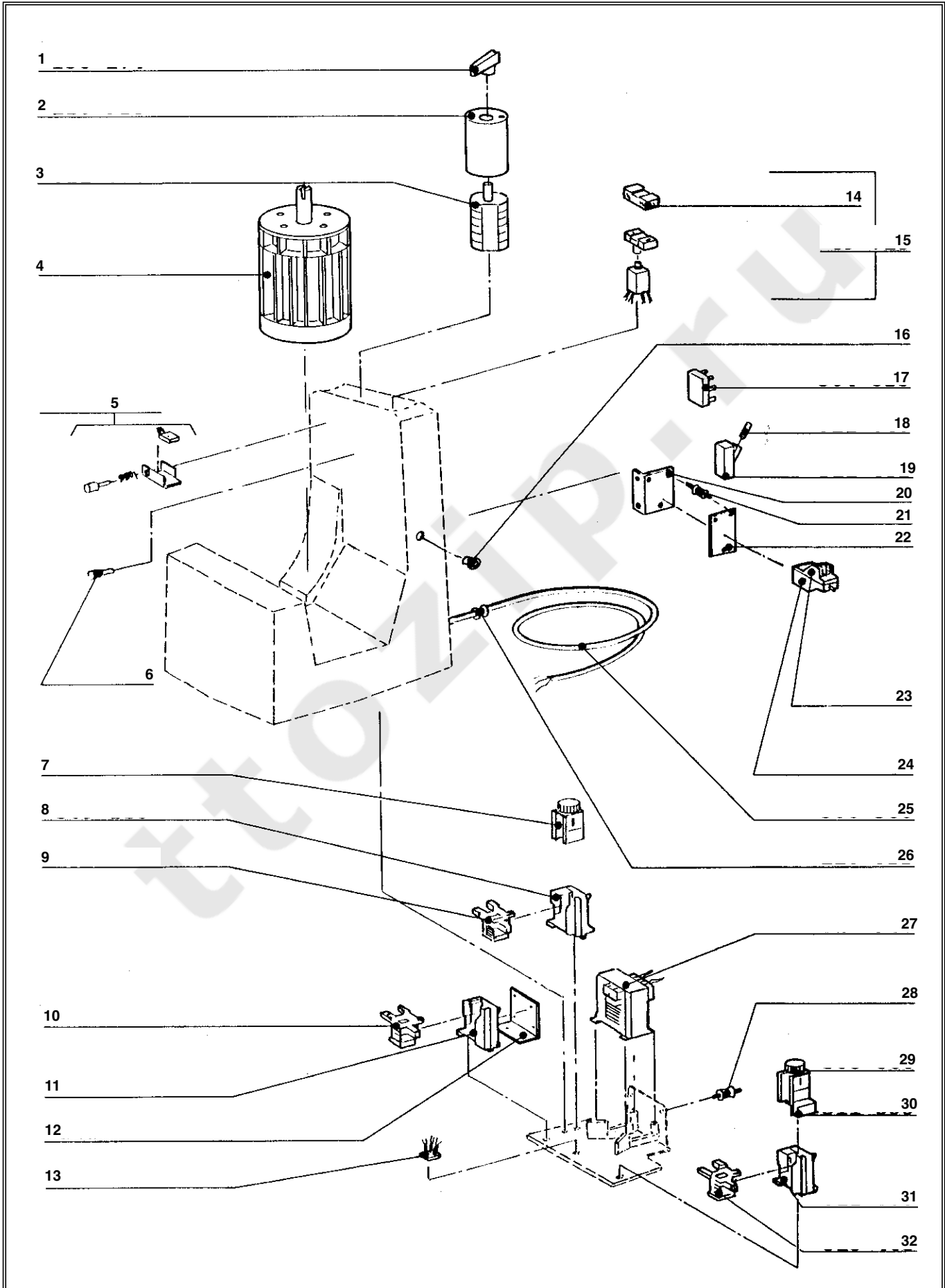
R25B Série 10

Pricelist in : EUR

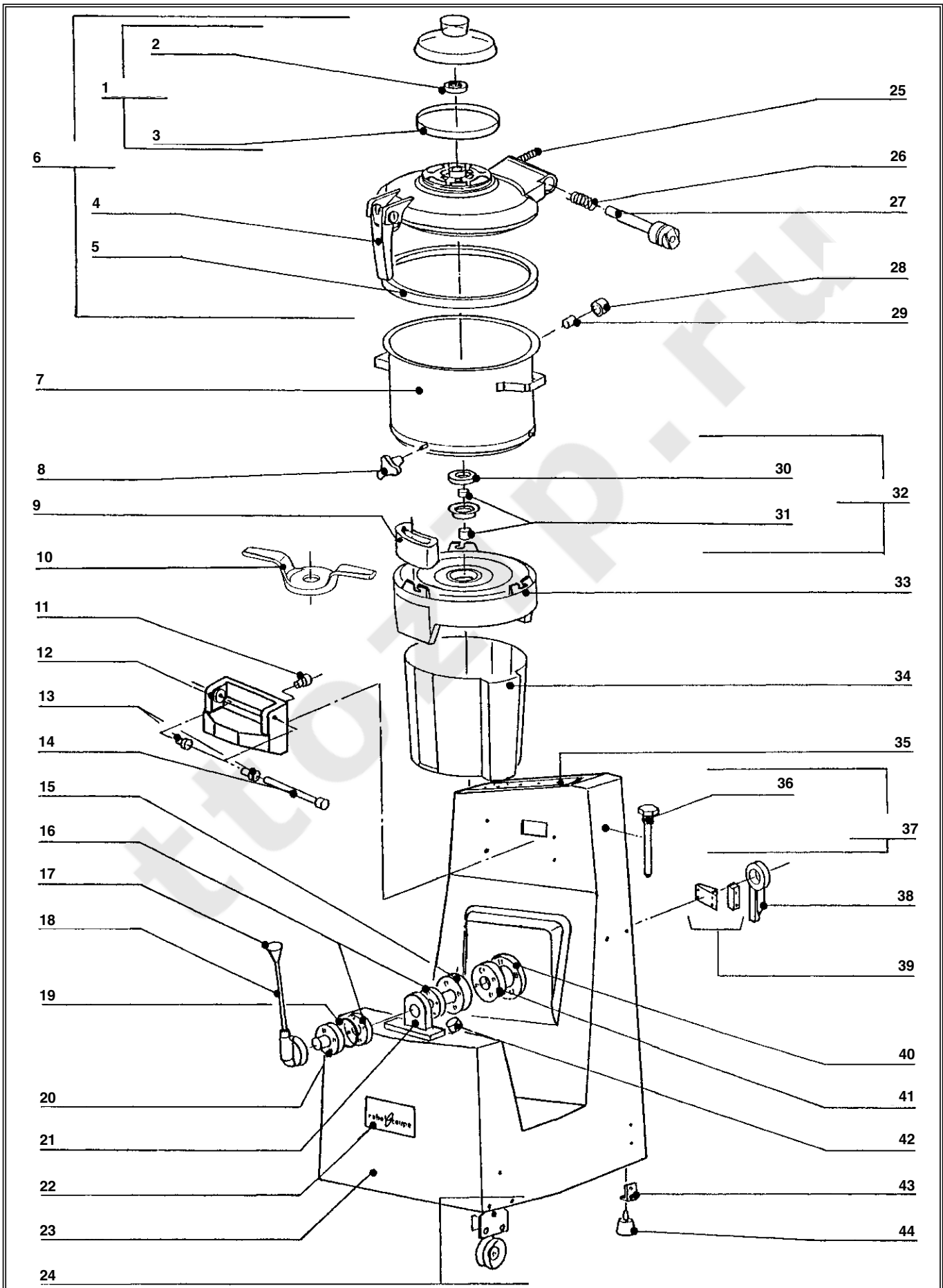
N°	M	Voltage	A	B	C	
52107	302021 1 030,10	220-380 / 50 / 3	511676 384,30	503954 96,85	511940 256,30	
52118	302028 997,60	380 / 50 / 3	59064 252,75	503965 91,20	59066 256,30	
52130	302019 997,60	220 / 60 / 3	59064 252,75	503954 96,85	511940 256,30	



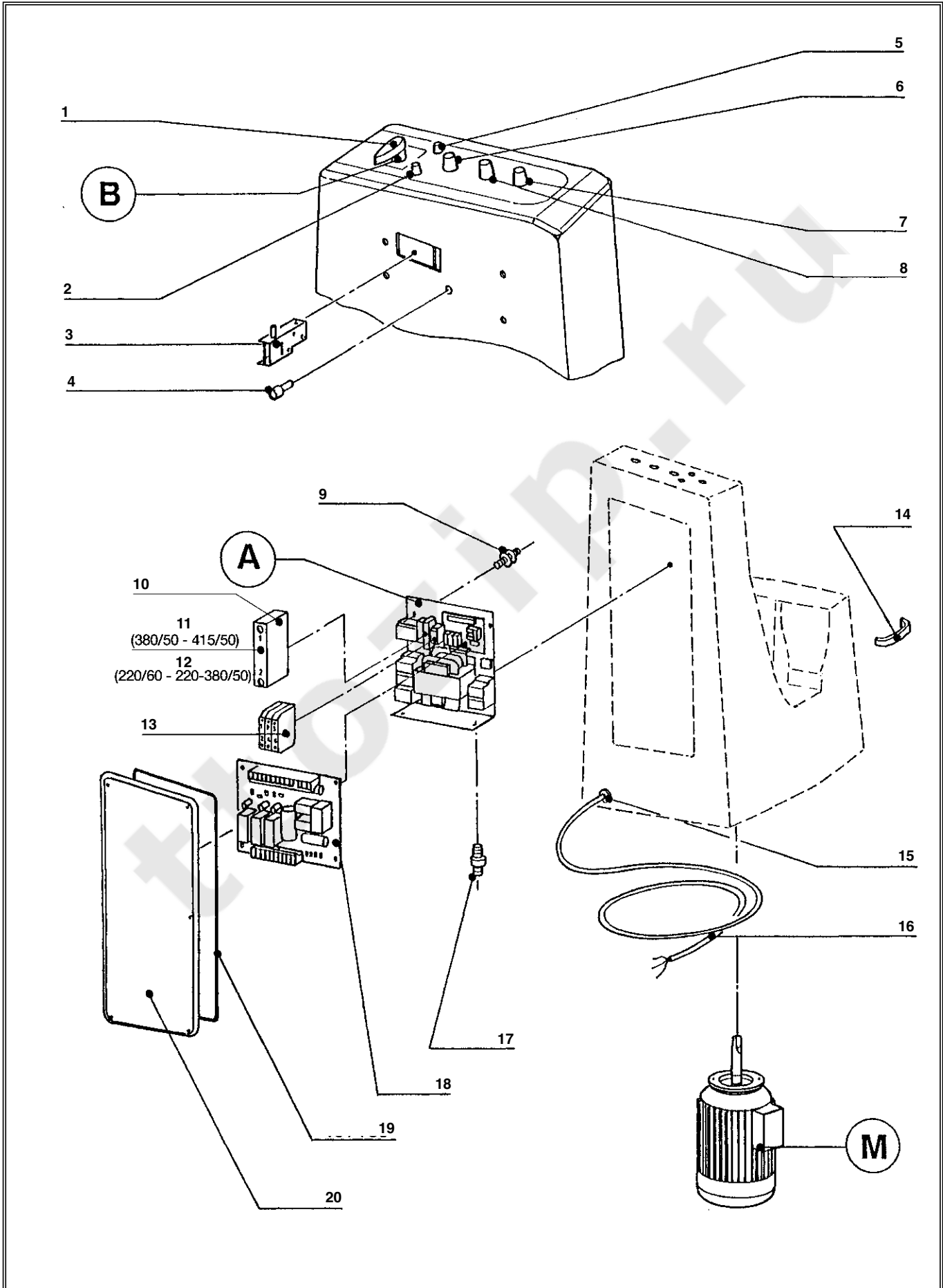
INDEX	REF.	DESIGNATION	Pricelist in : EUR
1	500546	VACUM SEAL	2,40
2	500547	FILTRE	93,25
3	500548	MANOMETER	180,80
4	500545	VACUM SEAL	1,80
5	29076	VCM VACUUM KIT	See Price list
6	502639	R10 LID CENTRE SEAL	1,85
7	500907	R10 LID COVER SEAL	7,55
8	29108	R10 LID COVER	41,05
9	100913	CLAMP KNOB	43,15
10	59631	R25B LID LOCK KNOB ASSEMBLY	94,75
11	59961	R60B LID SWITCH ACTUATOR	6,35
12	59035	COMPLETE LID ASS	1 166,50
13	69774	BOWL ASS	973,50
14	100914	R25B BOWL LOCK KNOB-METAL	41,05
15	500503	SEAL	7,20
16	500183	SEAL RING	12,60
17	100739	SEAL SUPPORT	85,60
18	502582	SEAL	1,95
19	59036	SPACER ASS	878,80
20	69113	MOTOR COVER ASS	294,80
21	69147	R60BA VERTICAL BEARING BLOCK	101,40
22	69157	TILTING BLOCK AXE	205,50
23	59103	TILTING FRONT AXE	178,15
24	110418	R60B BRONZE COLLAR	64,95
25	100384	R60 TILT ARM KNOB	37,75
26	69135	TILTING ARM ASS	116,75
27	101770	LOCKING NUT FLANGE	19,15
28	110495	R25B TILT ARM COLLAR	100,85
29	69124	R25B TILT ARM BRACKET	353,10
30	401720	SILVER PLATE S/ADHESIVE	7,20
31	59038	BASE ASS	Contact us
32	59455	R25B WHEEL & BRACKET	55,45
33	29174	ADAPTATOR NUT	107,45
34	59037	R25B HINGE PIN	17,15
35	206448	BALL DRIVER NUT	10,60
36	505220	BALL DRIVER	20,55
37	127710	R25B S.10 SWITCH SEAL	8,25
38	59730	R25B S.10 HINGE BRACKET	70,05
39	59021	SHOULDERED RING ASS	6,25
40	100966	LID SEAL (O M)	28,75
41	100973	LID SEAL (N M)	69,25
42	127700	R25 S.10 BOWL MAGNET BLOCK	11,55
43	501000	R8 MAGNET	0,65
44	400320	CONTROL PANNEL PLATE	32,30
45	500445	C120 PADDLE ASS LOCK KNOB	4,50
46	59950	PIN ASSEMBLY	9,45
47	100535	ACCESS FLAP DOOR	86,55
48	126588	ACCESS FLAP DOOR SEAL	30,80
49	116413	THRUST ARM	84,75
50	59170	NYLON THRUST BLOCK	44,20
51	59500	HANDLE ASS	16,65
52	116787	BOWL THRUST	10,70
53	59807	R25 S5 MOTOR SUPPORT	8,70
54	116798	R60B FOOT	9,25



INDEX	REF.	DESIGNATION	Pricelist in : EUR
1	130174	R800 SWITCH HANDLE-HEX	12,95
2	120923	R25B ROTARY SWITCH COWL	30,90
3	511676	ROTARY SWITCH	384,30
4	302021	MOTOR	1 030,10
5	59010	R25B S.10 LID SWITCH ASSEMBLY	61,60
6	69817	R40B REED SWITCH ASSEMBLY	37,00
7	508860	R60BA TIMER DIAL	111,80
8	509223	R60BA CONTACTOR 48V CA2 DN22E7	62,40
9	509784	COIL D 09 48 V	64,15
10	515405	COIL D 16 48 V	85,50
11	515372	CONTACTOR 25 A	128,15
12	141504	CONTACTOR SUPPORT	10,85
13	511621	R25B RECTIFIER	28,65
14	511600	WATER-TIGHT CAP	9,55
15	69718	CONTACT SWITCH	80,25
16	108339	R25B OVERLOAD RELAY SEAL	3,90
17	504823	SWITCH GEAR	41,00
18	511643	FUSE	2,95
19	511632	FUSE SUPPORT	12,75
20	100984	DISCONNECTOR SUPPORT	26,75
21	59213	R25B S.10 SHOCK ABSORBER	2,80
22	127655	ABSORBER ASS	7,10
23	511544	RELAY SUPPORT	24,10
24	503954	THERMAL RELAY	96,85
25	500566	POWER CORD	47,30
26	118822	WIRE DUCT	6,50
27	511940	TRANSFORMER	256,30
28	514778	R10 SHOCK ABSORBER	9,30
29	508860	R60BA TIMER DIAL	111,80
30	511533	ADDITIONAL CONTACT	20,15
31	511555	R25B CONTACTOR LC1 D253E 48V	123,15
32	515405	COIL D 16 48 V	85,50



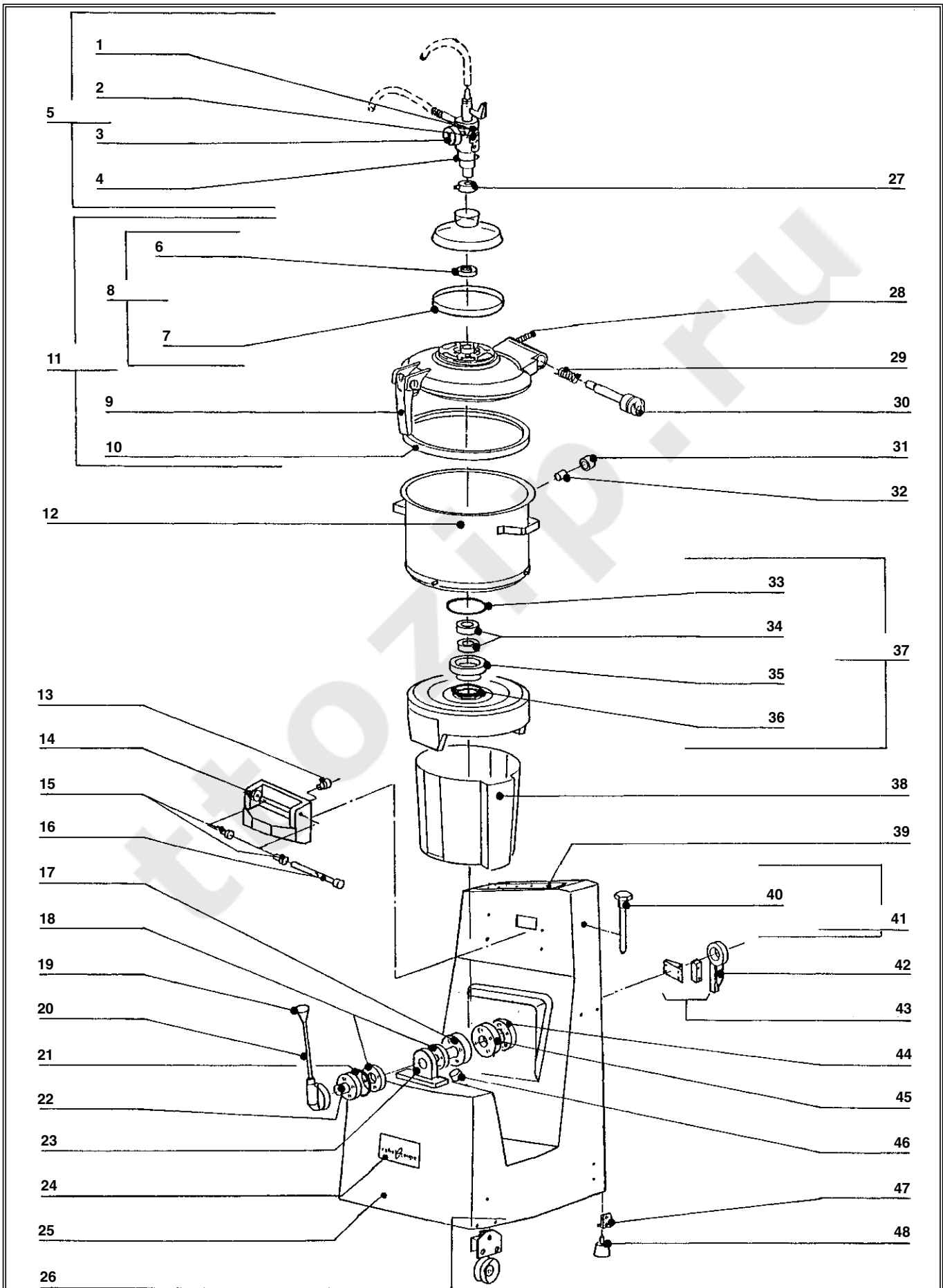
INDEX	REF.	DESIGNATION	Pricelist in : EUR
1	29108	R10 LID COVER	41,05
2	502639	R10 LID CENTRE SEAL	1,85
3	500907	R10 LID COVER SEAL	7,55
4	59099	R25BA LID LATCH ASSEMBLY	97,70
5	101733	R25A LID SEAL 20MM	41,05
6	59105	R25BA LID ASSEMBLY	301,65
7	59102	R25BA BOWL	754,90
8	100914	R25B BOWL LOCK KNOB-METAL	41,05
9	117146	BLADE DISMONTING HOLDER	13,70
10	101822	R25BA SOCKET KEY	38,05
11	102044	R25/R40 SAFETY FINGER	10,40
12	59101	HINGE ASS	70,05
13	105875	R25B HINGE BUSH	2,00
14	59098	HINGE PIN ASS	31,70
15	59103	TILTING FRONT AXE	178,15
16	110418	R60B BRONZE COLLAR	64,95
17	100384	R60 TILT ARM KNOB	37,75
18	69135	TILTING ARM ASS	116,75
19	101770	LOCKING NUT FLANGE	19,15
20	110495	R25B TILT ARM COLLAR	100,85
21	69124	R25B TILT ARM BRACKET	353,10
22	400744	FRONT PLATE	11,30
23	59106	BASE ASS	830,50
24	59455	R25B WHEEL & BRACKET	55,45
25	101316	R10/R20 S5 SAFETY FINGER	2,75
26	101659	R25BA LID SPRING	51,05
27	101657	LID SHAFT	102,05
28	101990	R25A/R40A MAGNET CAP	10,15
29	501000	R8 MAGNET	0,65
30	504449	R25B BOWL SEAL	2,45
31	501710	R800 MOTOR SEAL 30x40x8	3,15
32	59104	SEALING SOCKET ASS	86,60
33	101731	SPACER	429,75
34	69113	MOTOR COVER ASS	294,80
35	401139	CONTROL PANNEL PLATE	32,30
36	500445	C120 PADDLE ASS LOCK KNOB	4,50
37	59950	PIN ASSEMBLY	9,45
38	116413	THRUST ARM	84,75
39	59170	NYLON THRUST BLOCK	44,20
40	69147	R60BA VERTICAL BEARING BLOCK	101,40
41	69157	TILTING BLOCK AXE	205,50
42	116787	BOWL THRUST	10,70
43	59807	R25 S5 MOTOR SUPPORT	8,70
44	116798	R60B FOOT	9,25
45	59807	R25 S5 MOTOR SUPPORT	8,70
46	116798	R60B FOOT	9,25



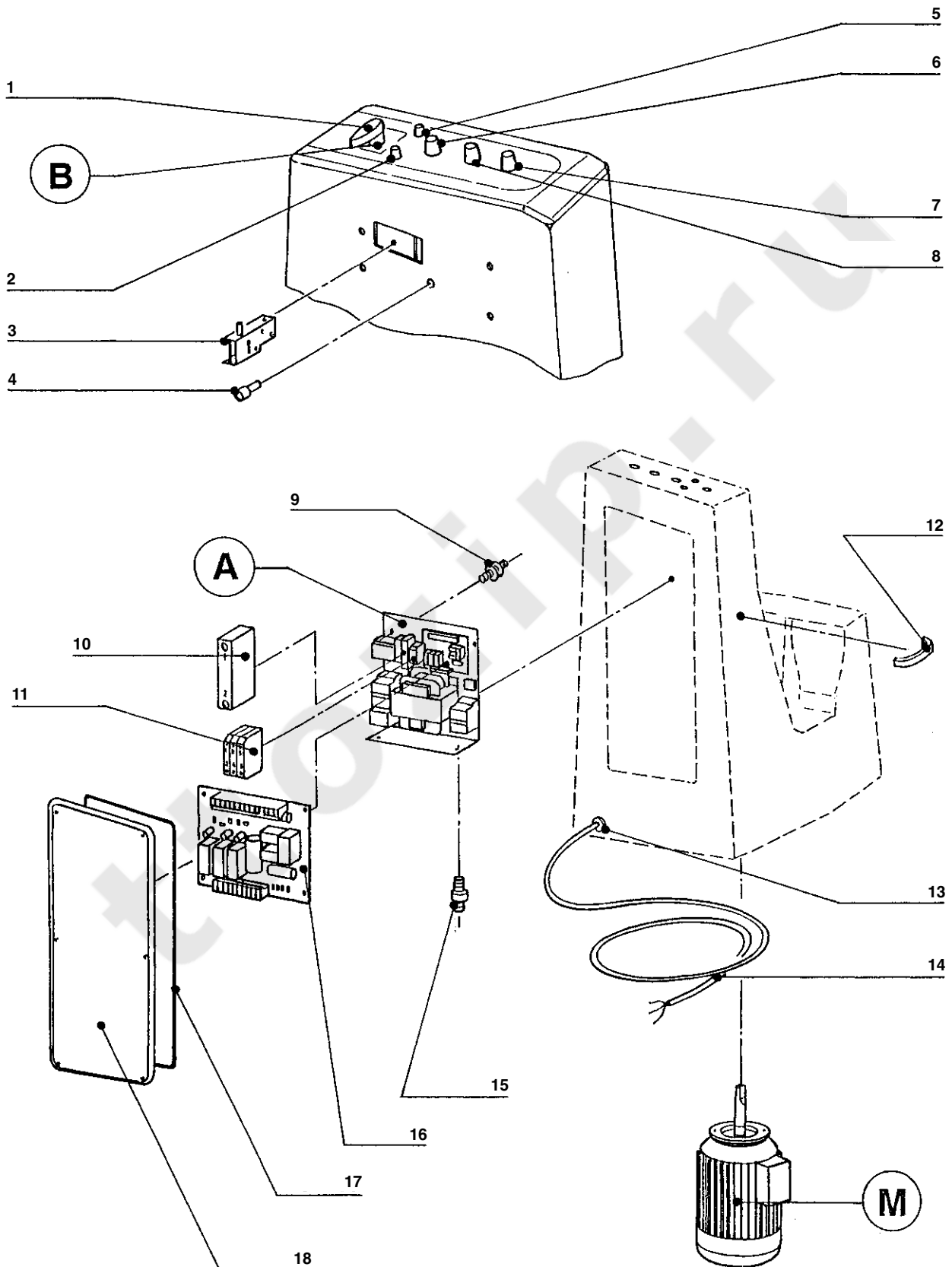
- (A)** ELECTRIC CIRCUIT BOARD
- (B)** R10 ROTARY SWITCH
- (M)** MOTOR

INDEX	REF.	DESIGNATION	Pricelist in : EUR
1	500556	R10 ROTARY SWITCH HANDLE	14,80
2	500518	R10 GREEN INDICATOR	6,75
3	29262	R10a SAFETY SWITCH ASSEMBLY	62,65
4	29318	R25BA REED SWITCH ASSEMBLY	37,00
5	500520	R10 CLEAR INDICATOR	6,75
6	500301	BLACK KNOB	31,85
7	500321	RED KNOB	32,90
8	500322	GREEN KNOB	32,90
9	502876	ABSORBER	7,60
10	503115	8X31 FUSE THERMINAL	10,85
11	503111	8X31 12AGG FUSE	5,05
12	503112	8X31 20A GL FUSE	4,30
13	29165	FUSE ASS	24,25
14	500561	CL60 HANDLE	33,75
15	501773	WIRE DUCT	4,40
16	502686	POWER CORD	85,60
17	514778	R10 SHOCK ABSORBER	9,30
18	29070	R10 PCB	127,05
19	101736	R25 BACK PANEL SEAL	25,20
20	101662	ACCESS FLAP DOOR	119,45

N°	M	Voltage	A	B	
52290	302028 997,60	380 / 50 / 3	59046 805,60	502637 107,65	
52291	302021 1 030,10	220/380 / 50 / 3	59047 805,60	500550 183,10	
52292	302019 997,60	220 / 60 / 3	59047 805,60	502637 107,65	



INDEX	REF.	DESIGNATION	Pricelist in : EUR
1	500546	VACUM SEAL	2,40
2	500547	FILTRE	93,25
3	500548	MANOMETER	180,80
4	500545	VACUM SEAL	1,80
5	29076	VCM VACUUM KIT	See Price list
6	502639	R10 LID CENTRE SEAL	1,85
7	500907	R10 LID COVER SEAL	7,55
8	29108	R10 LID COVER	41,05
9	59099	R25BA LID LATCH ASSEMBLY	97,70
10	101733	R25A LID SEAL 20MM	41,05
11	59105	R25BA LID ASSEMBLY	301,65
12	59112	BOWL ASS	973,50
13	102044	R25/R40 SAFETY FINGER	10,40
14	59101	HINGE ASS	70,05
15	105875	R25B HINGE BUSH	2,00
16	59098	HINGE PIN ASS	31,70
17	59103	TILTING FRONT AXE	178,15
18	110418	R60B BRONZE COLLAR	64,95
19	100384	R60 TILT ARM KNOB	37,75
20	69135	TILTING ARM ASS	116,75
21	101770	LOCKING NUT FLANGE	19,15
22	110495	R25B TILT ARM COLLAR	100,85
23	69124	R25B TILT ARM BRACKET	353,10
24	400744	FRONT PLATE	11,30
25	59106	BASE ASS	830,50
26	59455	R25B WHEEL & BRACKET	55,45
27	29174	ADAPTATOR NUT	107,45
28	101316	R10/R20 S5 SAFETY FINGER	2,75
29	101659	R25BA LID SPRING	51,05
30	101657	LID SHAFT	102,05
31	101990	R25A/R40A MAGNET CAP	10,15
32	501000	R8 MAGNET	0,65
33	500503	SEAL	7,20
34	500183	SEAL RING	12,60
35	100739	SEAL SUPPORT	85,60
36	502582	SEAL	1,95
37	59036	SPACER ASS	878,80
38	69113	MOTOR COVER ASS	294,80
39	401139	CONTROL PANNEL PLATE	32,30
40	500445	C120 PADDLE ASS LOCK KNOB	4,50
41	59950	PIN ASSEMBLY	9,45
42	116413	THRUST ARM	84,75
43	59170	NYLON THRUST BLOCK	44,20
44	69147	R60BA VERTICAL BEARING BLOCK	101,40
45	69157	TILTING BLOCK AXE	205,50
46	116787	BOWL THRUST	10,70
47	59807	R25 S5 MOTOR SUPPORT	8,70
48	116798	R60B FOOT	9,25



- (A)** ELECTRIC CIRCUIT BOARD
- (B)** R10 ROTARY SWITCH
- (M)** MOTOR

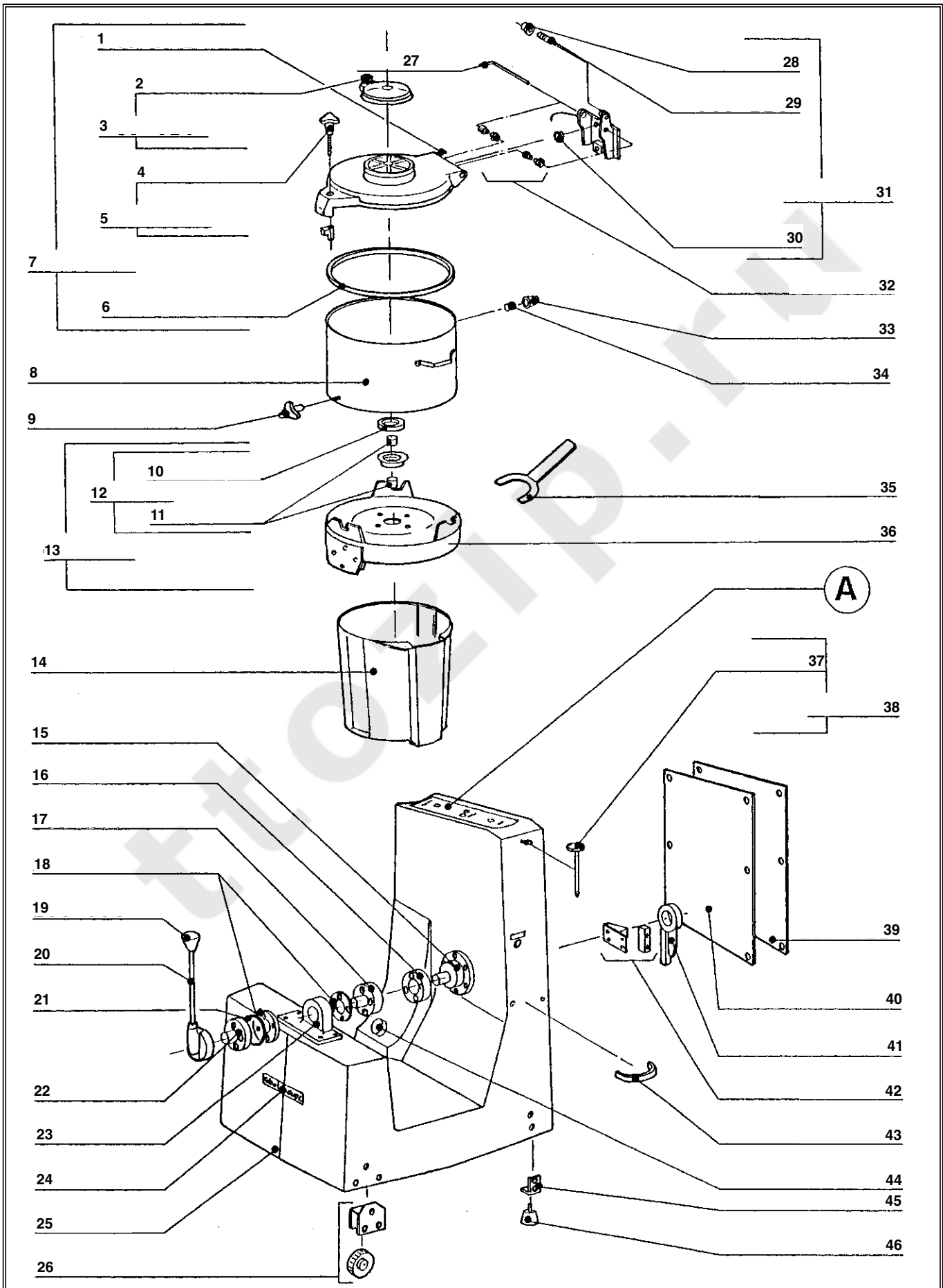
INDEX	REF.	DESIGNATION	Pricelist in : EUR
1	500556	R10 ROTARY SWITCH HANDLE	14,80
2	500518	R10 GREEN INDICATOR	6,75
3	29262	R10a SAFTEY SWITCH ASSEMBLY	62,65
4	69817	R40B REED SWITCH ASSEMBLY	37,00
5	500520	R10 CLEAR INDICATOR	6,75
6	500301	BLACK KNOB	31,85
7	500321	RED KNOB	32,90
8	500322	GREEN KNOB	32,90
9	502876	ABSORBER	7,60
10	501839	R25BA FUSE	Contact us
11	29165	FUSE ASS	24,25
12	59500	HANDLE ASS	16,65
13	118822	WIRE DUCT	6,50
14	500566	POWER CORD	47,30
15	514778	R10 SHOCK ABSORBER	9,30
16	29070	R10 PCB	127,05
17	101736	R25 BACK PANEL SEAL	25,20
18	101662	ACCESS FLAP DOOR	119,45

robot coupe

R25B "A" Sous-Vide

Pricelist in : EUR

N°	M	Voltage	A	B	
52804SV	302021 1 030,10	220/380 / 50 / 3	59047 805,60	500550 183,10	



A

FRONT PLAT R25B COMMUT

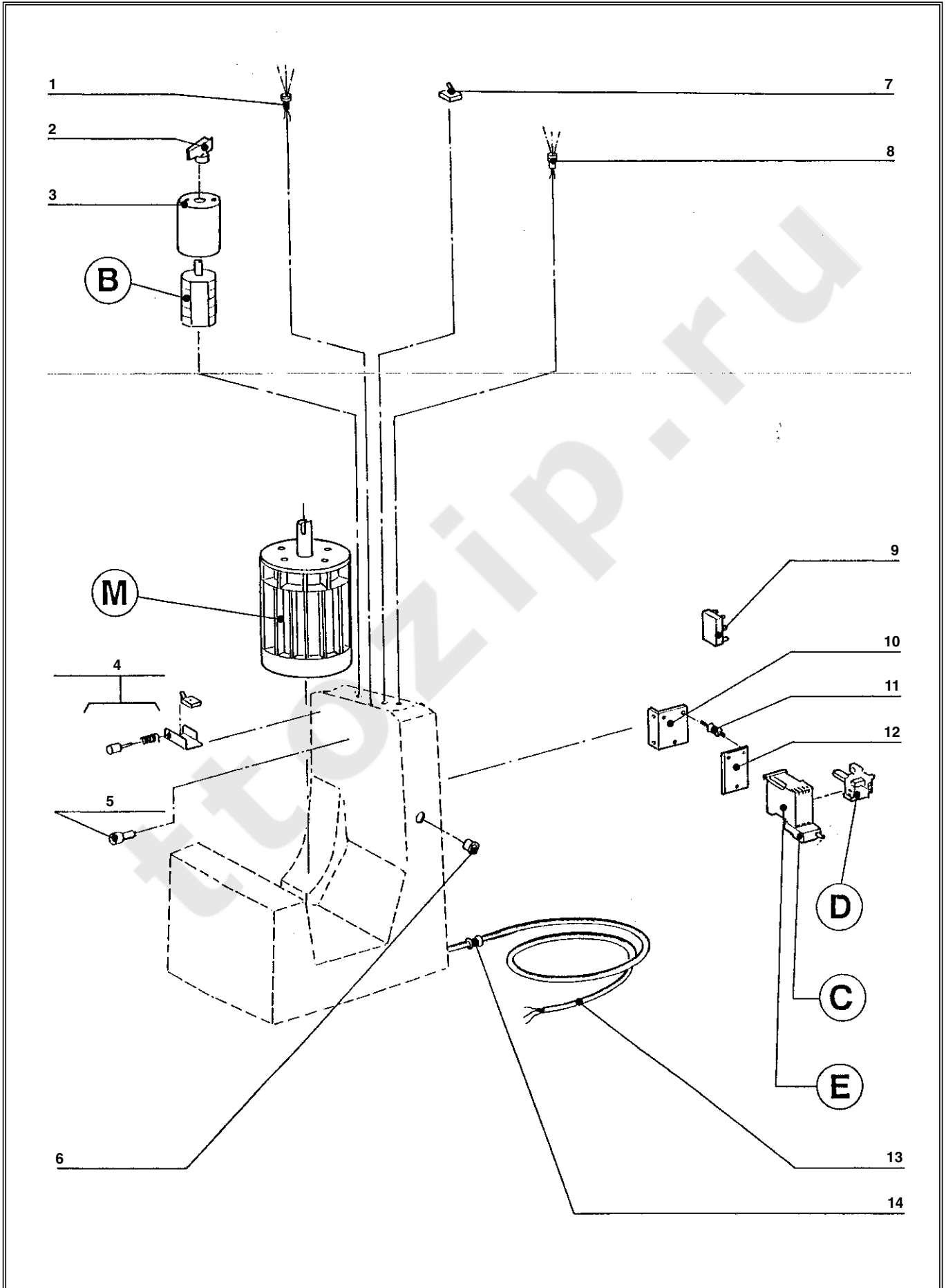
INDEX	REF.	DESIGNATION	Pricelist in : EUR
1	59961	R60B LID SWITCH ACTUATOR	6,35
2	500280	PLASTIC CAP KNOB	2,65
3	59026	R25B LID COVER	25,10
4	100913	CLAMP KNOB	43,15
5	59631	R25B LID LOCK KNOB ASSEMBLY	94,75
6	100965	R60B LID SEAL-12MM SQUARE	41,05
7	59896	R25B LID ASSEMBLY	301,65
8	59830	BOWL ASS	754,90
9	100914	R25B BOWL LOCK KNOB-METAL	41,05
10	504449	R25B BOWL SEAL	2,45
11	501710	R800 MOTOR SEAL 30x40x8	3,15
12	59104	SEALING SOCKET ASS	86,60
13	69037	R25B MOTOR SUPPORT	527,80
14	69113	MOTOR COVER ASS	294,80
15	69147	R60BA VERTICAL BEARING BLOCK	101,40
16	69157	TILTING BLOCK AXE	205,50
17	59103	TILTING FRONT AXE	178,15
18	110418	R60B BRONZE COLLAR	64,95
19	100384	R60 TILT ARM KNOB	37,75
20	69135	TILTING ARM ASS	116,75
21	101770	LOCKING NUT FLANGE	19,15
22	110495	R25B TILT ARM COLLAR	100,85
23	69124	R25B TILT ARM BRACKET	353,10
24	400744	FRONT PLATE	11,30
25	59025	BASE ASS	622,85
26	59455	R25B WHEEL & BRACKET	55,45
27	59037	R25B HINGE PIN	17,15
28	206448	BALL DRIVER NUT	10,60
29	505220	BALL DRIVER	20,55
30	127710	R25B S.10 SWITCH SEAL	8,25
31	59730	R25B S.10 HINGE BRACKET	70,05
32	59021	SHOULDERED RING ASS	6,25
33	127700	R25 S.10 BOWL MAGNET BLOCK	11,55
34	501000	R8 MAGNET	0,65
35	101822	R25BA SOCKET KEY	38,05
36	101731	SPACER	429,75
37	500445	C120 PADDLE ASS LOCK KNOB	4,50
38	59950	PIN ASSEMBLY	9,45
39	126511	ACCESS FLAP DOOR	86,55
40	126588	ACCESS FLAP DOOR SEAL	30,80
41	116413	THRUST ARM	84,75
42	59170	NYLON THRUST BLOCK	44,20
43	59500	HANDLE ASS	16,65
44	116787	BOWL THRUST	10,70
45	59807	R25 S5 MOTOR SUPPORT	8,70
46	116798	R60B FOOT	9,25

robot coupe®

R25B Série 5

Pricelist in : EUR

N°	M	Voltage	A	
52228	302028 997,60	380 / 50 / 3	400318 32,30	
52240	302019 997,60	220 / 60 / 3	400318 32,30	
52250	302021 1 030,10	220/380 / 50 / 3	400306 32,30	



- (B)** COMMUTATOR
- (C)** R25B OVERLOAD RELAY 13-18A
- (D)** COIL
- (E)** CONTACTOR
- (M)** MOTOR

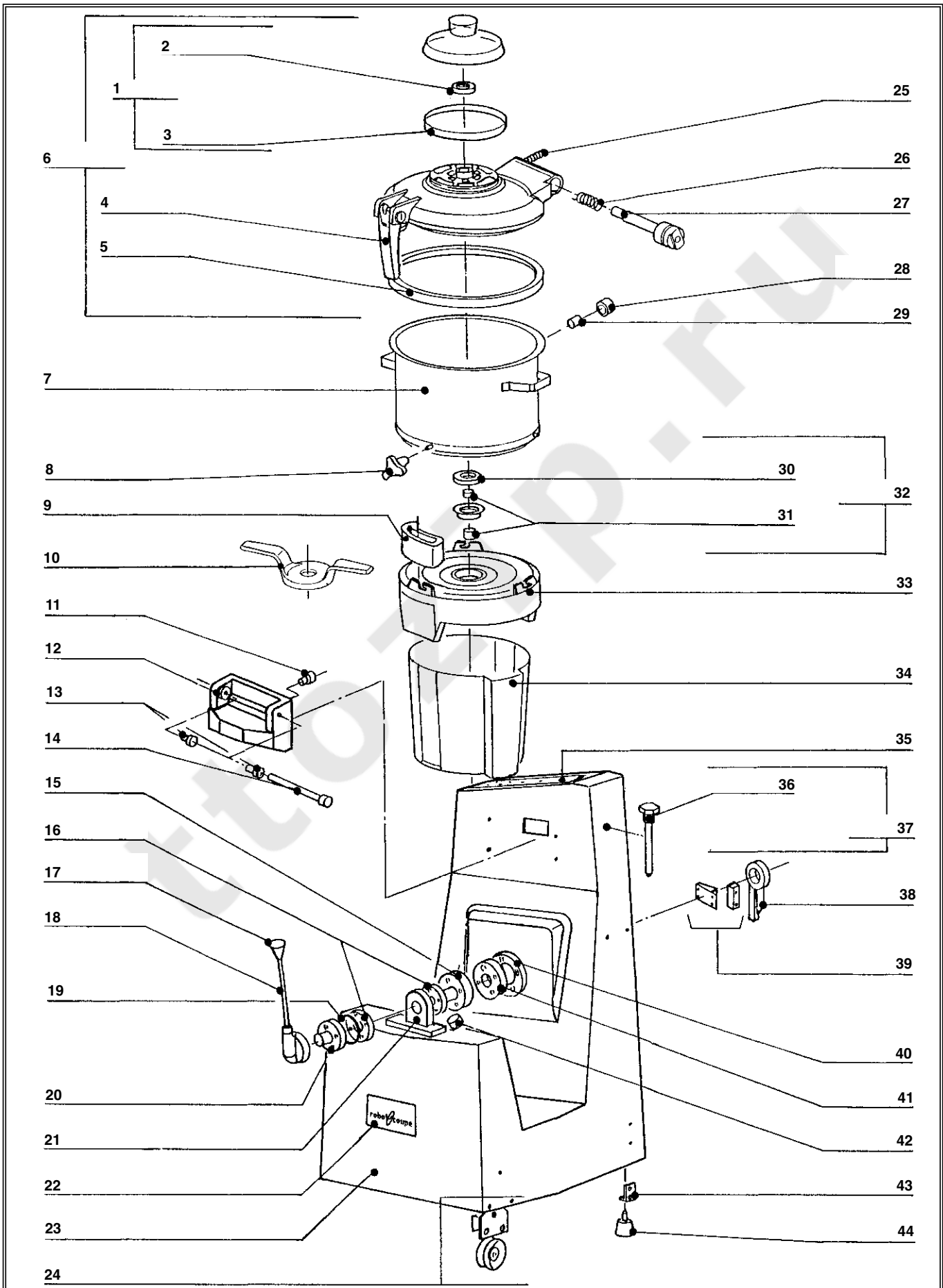
INDEX	REF.	DESIGNATION	Pricelist in : EUR
1	502788	GREEN LAMP	9,05
2	502810	R800 SWITCH HANDLE-STAR	13,55
3	120923	R25B ROTARY SWITCH COWL	30,90
4	59010	R25B S.10 LID SWITCH ASSEMBLY	61,60
5	69817	R40B REED SWITCH ASSEMBLY	37,00
6	108339	R25B OVERLOAD RELAY SEAL	3,90
7	29106	R25B ON/OFF SWITCH-TOGGLE	12,85
8	502898	R25B INDICATOR-ORANGE	7,70
9	504823	SWITCH GEAR	41,00
10	100984	DISCONNECTOR SUPPORT	26,75
11	59213	R25B S.10 SHOCK ABSORBER	2,80
12	112750	ABSORBER SUPPORT	8,25
13	500566	POWER CORD	47,30
14	118822	WIRE DUCT	6,50

robot coupe®

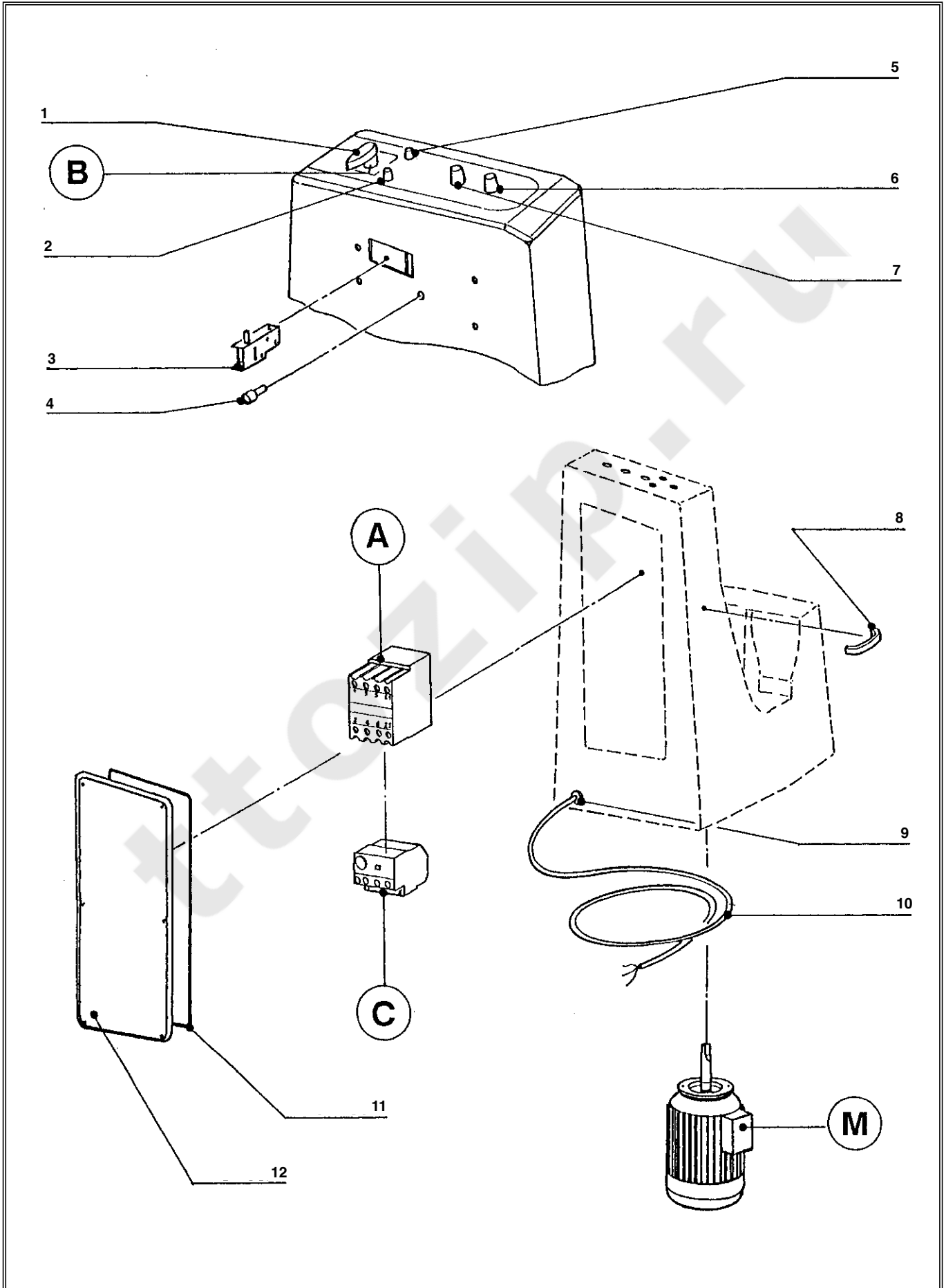
R25B Série 5

Pricelist in : EUR

N°	M	Voltage	B	C	D	E	
52228	302028 997,60	380 / 50 / 3	59062 140,45	503965 91,20	507640 111,05	507639 127,50	
52240	302019 997,60	220 / 60 / 3	59062 140,45	503954 96,85	504097 40,65	503899 123,15	
52250	302021 1 030,10	220/380 / 50 / 3	59063 249,05	503954 96,85	507640 111,05	507639 127,50	



INDEX	REF.	DESIGNATION	Pricelist in : EUR
1	29108	R10 LID COVER	41,05
2	502639	R10 LID CENTRE SEAL	1,85
3	500907	R10 LID COVER SEAL	7,55
4	59099	R25BA LID LATCH ASSEMBLY	97,70
5	101733	R25A LID SEAL 20MM	41,05
6	59105	R25BA LID ASSEMBLY	301,65
7	59102	R25BA BOWL	754,90
8	100914	R25B BOWL LOCK KNOB-METAL	41,05
9	117146	BLADE DISMONTING HOLDER	13,70
10	101822	R25BA SOCKET KEY	38,05
11	102044	R25/R40 SAFETY FINGER	10,40
12	59101	HINGE ASS	70,05
13	105875	R25B HINGE BUSH	2,00
14	59098	HINGE PIN ASS	31,70
15	59103	TILTING FRONT AXE	178,15
16	110418	R60B BRONZE COLLAR	64,95
17	100384	R60 TILT ARM KNOB	37,75
18	69135	TILTING ARM ASS	116,75
19	101770	LOCKING NUT FLANGE	19,15
20	110495	R25B TILT ARM COLLAR	100,85
21	69124	R25B TILT ARM BRACKET	353,10
22	400744	FRONT PLATE	11,30
23	59111	BASE ASS	830,50
24	59455	R25B WHEEL & BRACKET	55,45
25	101316	R10/R20 S5 SAFETY FINGER	2,75
26	101659	R25BA LID SPRING	51,05
27	101657	LID SHAFT	102,05
28	101990	R25A/R40A MAGNET CAP	10,15
29	501000	R8 MAGNET	0,65
30	504449	R25B BOWL SEAL	2,45
31	501710	R800 MOTOR SEAL 30x40x8	3,15
32	59104	SEALING SOCKET ASS	86,60
33	101731	SPACER	429,75
34	69113	MOTOR COVER ASS	294,80
35	401232	R25BA CONTROL PANEL PLATE	31,55
36	500445	C120 PADDLE ASS LOCK KNOB	4,50
37	59950	PIN ASSEMBLY	9,45
38	116413	THRUST ARM	84,75
39	59170	NYLON THRUST BLOCK	44,20
40	69147	R60BA VERTICAL BEARING BLOCK	101,40
41	69157	TILTING BLOCK AXE	205,50
42	116787	BOWL THRUST	10,70
43	59807	R25 S5 MOTOR SUPPORT	8,70
44	116798	R60B FOOT	9,25



- (A)** CONTACTOR
- (B)** R10 ROTARY SWITCH
- (C)** R25B OVERLOAD RELAY 13-18A
- (M)** MOTOR

INDEX	REF.	DESIGNATION	Pricelist in : EUR
1	500556	R10 ROTARY SWITCH HANDLE	14,80
2	502788	GREEN LAMP	9,05
3	29270	R10 (D) SAFETY SWITCH ASS	62,65
4	29318	R25BA REED SWITCH ASSEMBLY	37,00
5	505252	CRISTAL LAMP	7,70
6	500321	RED KNOB	32,90
7	500322	GREEN KNOB	32,90
8	500561	CL60 HANDLE	33,75
9	501773	WIRE DUCT	4,40
10	502686	POWER CORD	85,60
11	101736	R25 BACK PANEL SEAL	25,20
12	101662	ACCESS FLAP DOOR	119,45

robot coupe

R25B "A" Série 5

Pricelist in : EUR

N°	M	Voltage	A	B	C	
52294	302028 997,60	380 / 50 / 3	507639 127,50	502637 107,65	503965 91,20	
52295	302021 1 030,10	220-380 / 50 / 3	507639 127,50	500550 183,10	503954 96,85	
52296	302019 997,60	220 / 60 / 3	503899 123,15	502637 107,65	503954 96,85	