

- (A)** 220V / 60 RELAY
- (B)** POWER CORD
- (M)** MOTOR
- (X)** CAPACITOR
- (Y)** MOTOR RELAY

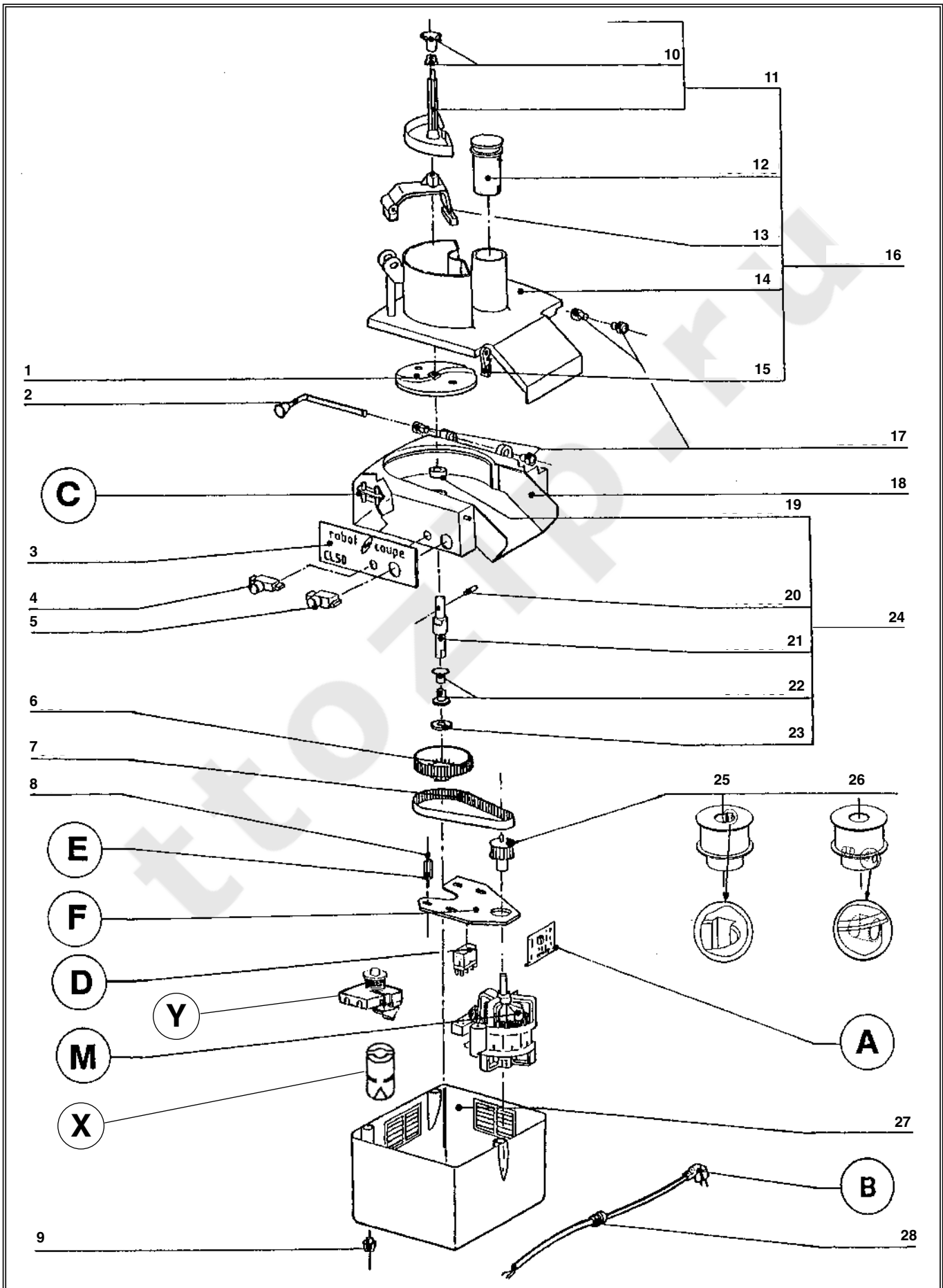
INDEX	REF.	DESIGNATION	Pricelist in : EUR
1	100062	CL50A SLING PLATE	10,90
2	29061	CL50A HINGE PIN	18,65
3	29031	REED SWITCH ASS	6,85
4	400278	CL50A NAME PLATE	13,60
5	500322	GREEN KNOB	32,90
6	500300	CL50 RED SWITCH ASSEMBLY	31,85
7	209209	CL401 CIRCLIP E16	0,60
8	100768	CL50B STUD	1,65
9	100767	CL50B SPACER	1,75
10	100068	MOTOR SUPPORT PLATE	27,35
11	500247	R4 RUBBER FOOT	1,35
12	500935	CL50A PUSHER KNOB	12,35
13	100740	KNOB WASHER	2,65
14	29060	R501Ua PUSHER PLATE ASSEMBLY	81,90
15	100709	CL50A PUSHER-ROUND	6,50
16	29064	PUSHER GUIDE ASS	99,10
17	100680	CL50A LID ONLY	148,15
18	29066	R501U LID LOCK CLAMP-NS	47,20
19	29078	R501U VEG LID ASSEMBLY	392,90
20	29058	CL60 HINGE BUSH KIT	6,25
22	501624	R502/602 MOTOR SEAL	3,15
23	110308	R501U SHAFT PIN MOTOR	2,00
24	100634	SHAFT	Contact us
25	515493	CL401 SHAFT BUSH-METAL	2,85
26	141020	CL401 DRIVE SHAFT WASHER	2,00
27	29080	CL50A DRIVE SHAFT 151MM	107,70
28	130933	CL401 DRIVE PULLEY-METAL	8,15
29	515482	BELT	47,10
30	130944	CL401 MOTOR PULLEY	54,85
31	29065	CL50 A/B BOTTOM CASING	155,10
32	515515	CL60 CABLE GROMMET	3,45

robot coupe

CL 50 A

Pricelist in : EUR

N°	M	Voltage	A	B	X	Y	
24044	3009 150,75	220 / 50 / 1	509124 42,75	507320 10,00	600018 12,30	500289 13,10	
24047	3011 150,70	115 / 60 / 1	509135 48,45	503206 10,00	603669 10,55	500296 13,10	
24049	3063 154,65	220 / 60 / 1	500560 55,85	507320 10,00	603669 10,55	500289 13,10	



- (A)** CIRCUIT BOARD
- (B)** POWER CORD
- (C)** CL50B REED SWITCH ASSEMBLY
- (D)** CONTACTOR
- (E)** BRACE
- (F)** MOTOR SUPPORT PLATE
- (M)** MOTOR
- (X)** CAPACITOR
- (Y)** MOTOR RELAY

INDEX	REF.	DESIGNATION	Pricelist in : EUR
1	100062	CL50A SLING PLATE	10,90
2	29061	CL50A HINGE PIN	18,65
3	400278	CL50A NAME PLATE	13,60
4	500322	GREEN KNOB	32,90
5	500321	RED KNOB	32,90
6	130933	CL401 DRIVE PULLEY-METAL	8,15
7	515482	BELT	47,10
8	100768	CL50B STUD	1,65
9	500247	R4 RUBBER FOOT	1,35
10	102021	CL50A PUSHER KNOB SPACER	4,85
11	29060	R501Ua PUSHER PLATE ASSEMBLY	81,90
12	100709	CL50A PUSHER-ROUND	6,50
13	29064	PUSHER GUIDE ASS	99,10
14	100680	CL50A LID ONLY	148,15
15	29066	R501U LID LOCK CLAMP-NS	47,20
16	29078	R501U VEG LID ASSEMBLY	392,90
17	29058	CL60 HINGE BUSH KIT	6,25
18	29221	CL55 TOP CASING	313,90
19	501624	R502/602 MOTOR SEAL	3,15
20	110308	R501U SHAFT PIN MOTOR	2,00
21	100634	SHAFT	Contact us
22	515493	CL401 SHAFT BUSH-METAL	2,85
23	141020	CL401 DRIVE SHAFT WASHER	2,00
24	29080	CL50A DRIVE SHAFT 151MM	107,70
25	102089	CL30/CL50B DRIVING PULLEY	54,85
26	130944	CL401 MOTOR PULLEY	54,85
27	29065	CL50 A/B BOTTOM CASING	155,10
28	515515	CL60 CABLE GROMMET	3,45

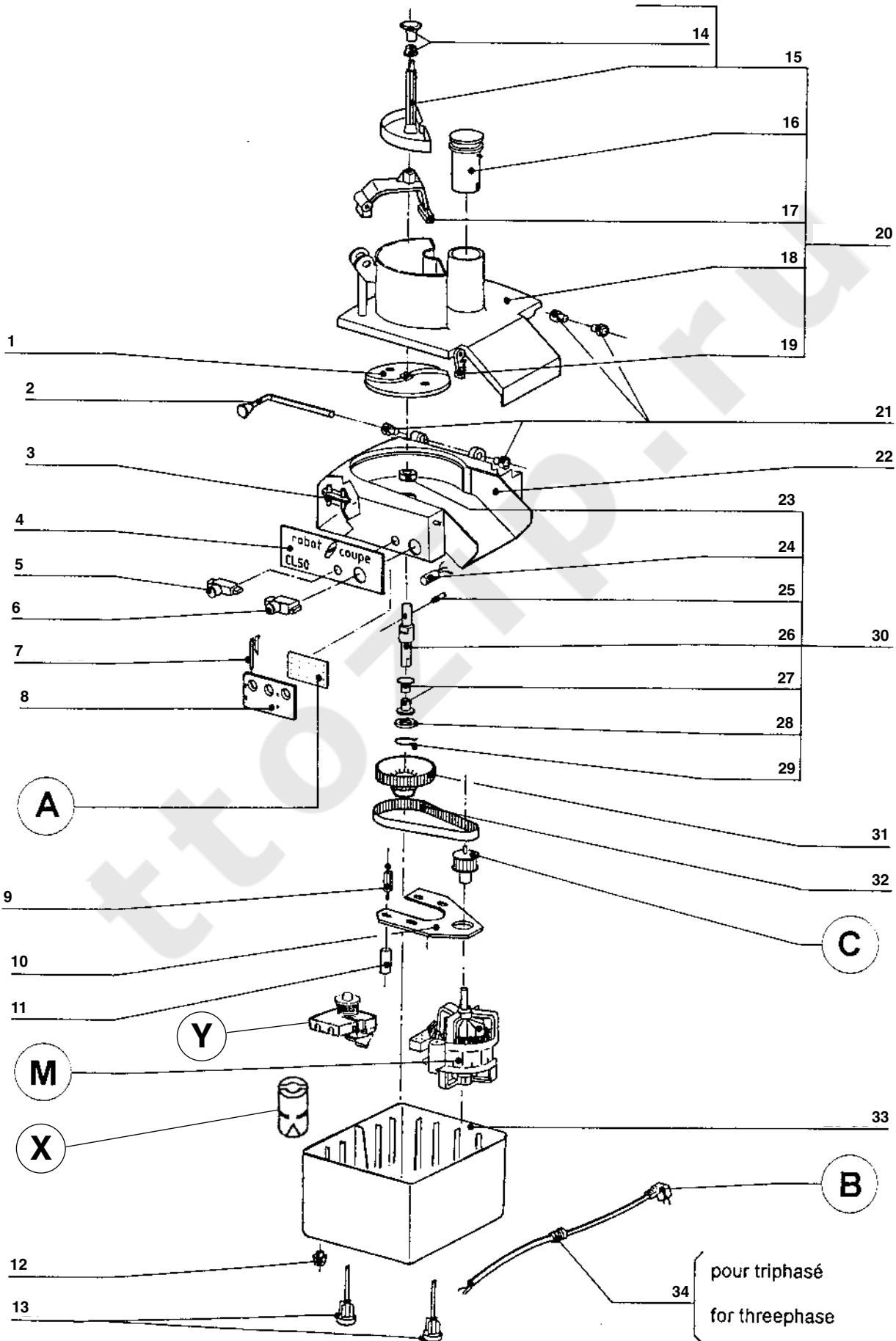
N°	M	Voltage	A	B	C	D	E	F	X	
24081	3064 150,70	220 / 50 / 1	102471 48,10	507322 10,00	29261 8,50	---	100767 1,75	100068 27,35	600018 12,30	
24083	3066 150,70	115 / 60 / 1	102470 48,10	507329 10,00	29261 8,50	---	100767 1,75	100068 27,35	603669 10,55	
24084	3067 150,70	220 / 60 / 1	102471 48,10	507322 10,00	29261 8,50	---	100767 1,75	100068 27,35	603669 10,55	
24086	3011 150,70	115 / 60 / 1	---	507328 10,00	29261 8,50	---	100767 1,75	100068 27,35	603669 10,55	
24088	3065 150,70	240 / 50 / 1	102471 48,10	507322 10,00	29261 8,50	---	100767 1,75	100068 27,35	600018 12,30	
24177	303028 175,80	220 / 60 / 3	---	502067 29,95	29459 22,15	503888 54,45	101437 1,75	101361 31,40	---	
24178	303026 175,80	380 / 60 / 3	---	502067 29,95	29459 22,15	507650 76,65	101437 1,75	101361 31,40	---	
24179	303025 175,80	380 / 50 / 3	---	502067 29,95	29459 22,15	507650 76,65	101437 1,75	101361 31,40	---	

robot coupe

CL 50 B

Pricelist in : EUR

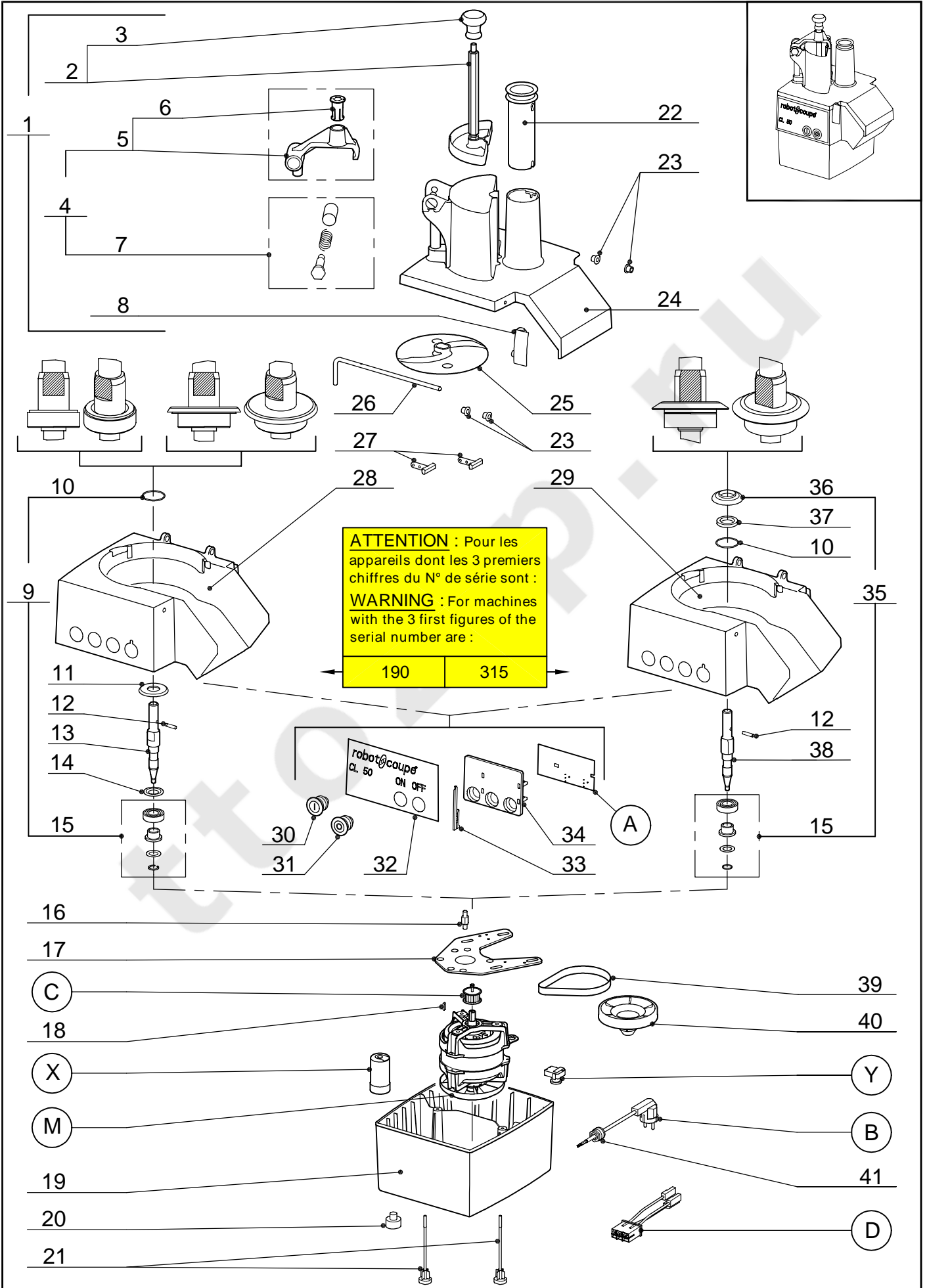
N°	M	Voltage	Y	
24081	3064 150,70	220 / 50 / 1	500289 13,10	
24083	3066 150,70	115 / 60 / 1	500296 13,10	
24084	3067 150,70	220 / 60 / 1	500289 13,10	
24086	3011 150,70	115 / 60 / 1	500296 13,10	
24088	3065 150,70	240 / 50 / 1	500289 13,10	
24177	303028 175,80	220 / 60 / 3	---	
24178	303026 175,80	380 / 60 / 3	---	
24179	303025 175,80	380 / 50 / 3	---	



- (A)** CL50C SINGLE PHASE CIRCUIT BOARD
- (B)** POWER CORD
- (C)** MOTOR DRIVE PULLEY
- (M)** CL50 ULTRA MOTOR 240V 50HZ
- (X)** CAPACITOR
- (Y)** MOTOR RELAY

INDEX	REF.	DESIGNATION	Pricelist in : EUR
1	100062	CL50A SLING PLATE	10,90
2	29061	CL50A HINGE PIN	18,65
3	29536	CL50C/ULTRA REED SWITCH LID	48,10
4	405968	CL50C FRONT PLATE	13,60
5	502170	CL60 (D) GREEN LOW SPEED SWITCH TOP	12,45
6	502169	CL60 (D) RED SWITCH TOP	12,45
7	117703	R301U (C) PCB KEY	0,55
8	29533	MOUNT SPACER FOR PCB	11,95
9	117692	CL50D SUPPORT BRACE	3,05
10	117689	CL50D MOTOR SUPPORT	27,35
11	117691	BASE BRACE	3,50
12	117579	CL50C FOOT	0,85
13	29782	CL50C BOTTOM CASE FIXING SCREW	5,45
14	102021	CL50A PUSHER KNOB SPACER	4,85
15	29060	R501Ua PUSHER PLATE ASSEMBLY	81,90
16	100709	CL50A PUSHER-ROUND	6,50
17	29064	PUSHER GUIDE ASS	99,10
18	100680	CL50A LID ONLY	148,15
19	29066	R501U LID LOCK CLAMP-NS	47,20
20	29078	R501U VEG LID ASSEMBLY	392,90
21	29058	CL60 HINGE BUSH KIT	6,25
22	29529	CL50C TOP CASING	313,90
23	501624	R502/602 MOTOR SEAL	3,15
24	29537	LID ILS ASS	48,10
25	110308	R501U SHAFT PIN MOTOR	2,00
26	117688	CL50C/ULTRA DRIVE SHAFT	86,65
27	515493	CL401 SHAFT BUSH-METAL	2,85
28	203064	RUBBING WASHER	0,70
29	203065	CL50C ST ST CIRCLIP	0,85
30	29523	TRANSMISSION SHAFT ASS	156,15
31	117682	CL50C/ULTRA ALLOY DRIVE PULLEY	8,15
32	515482	BELT	47,10
33	29534	CL50C BOTTOM CASE	155,10

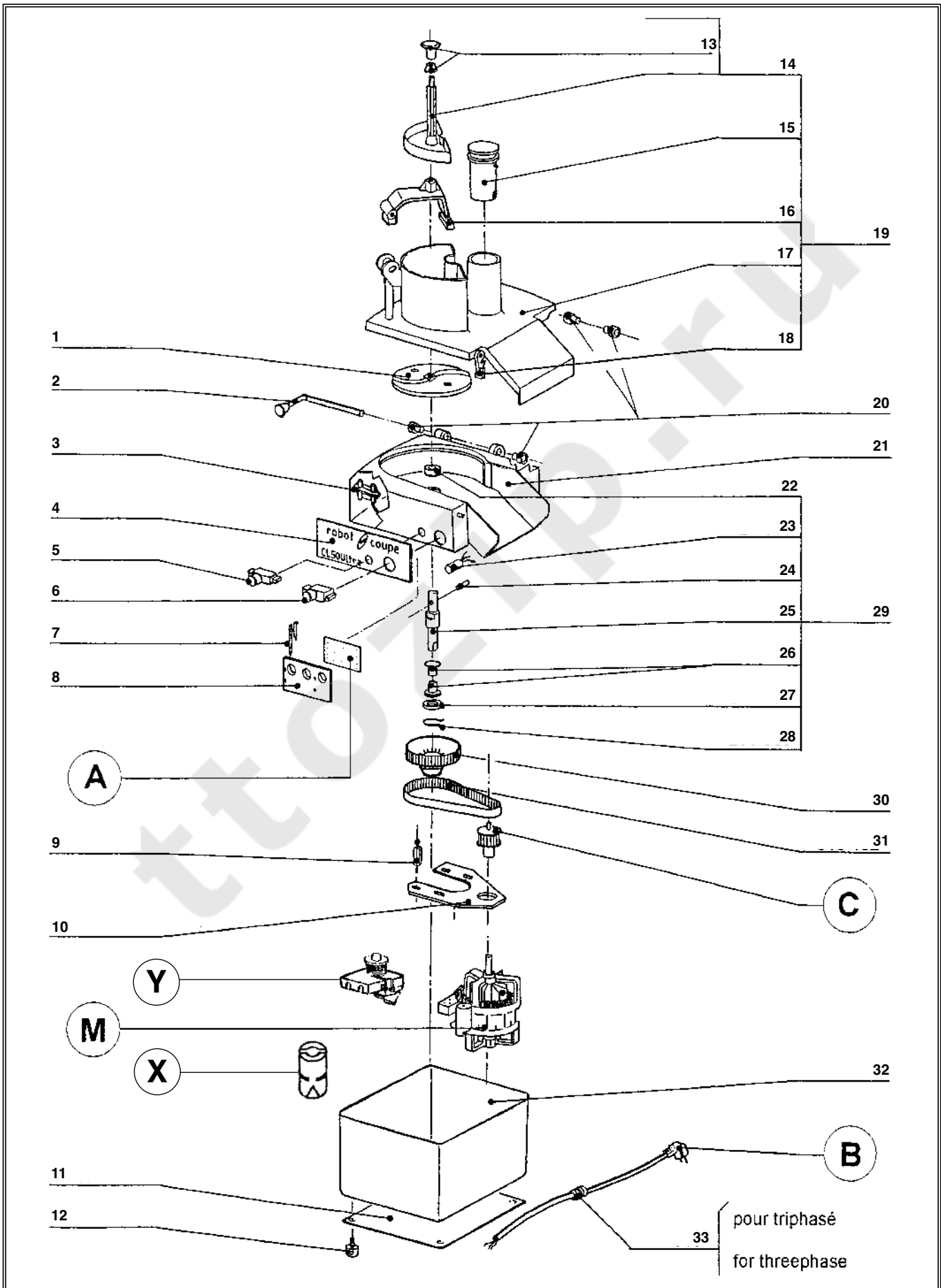
N°	M	Voltage	A	B	C	X	Y
24257	3095 150,70	115 / 60 / 1	102480 48,10	507027 10,00	29530 54,85	603669 10,55	500296 13,10
24258	3096 150,70	220 / 50 / 1	102480 48,10	507026 10,00	29530 54,85	600018 12,30	500289 13,10
24259	3097 150,70	220 / 60 / 1	102480 48,10	507026 10,00	29530 54,85	603669 10,55	500289 13,10
24260	303038 175,80	220 / 60 / 3	102479 74,80	515570 29,95	29532 54,85	---	---
24263	303035 175,80	380 / 50 / 3	102479 74,80	515570 29,95	29532 54,85	---	---
24264	303037 183,95	380 / 60 / 3	102479 74,80	515570 29,95	29532 54,85	---	---
24284	303036 175,80	220 / 50 / 3	102479 74,80	515570 29,95	29532 54,85	---	---



- (A)** CL50C SINGLE PHASE CIRCUIT BOARD
- (B)** 2P+EARTH CL50D DK POWER CORD
- (C)** MOTOR DRIVE PULLEY
- (D)** CL50D PCB CONNECTOR
- (M)** CL50 D MOTOR 240V 50HZ
- (X)** CAPACITOR
- (Y)** MOTOR RELAY

INDEX	REF.	DESIGNATION	Pricelist in : EUR
1	29627	CL50D VEG LID ASSEMBLY	392,90
2	29060	R501Ua PUSHER PLATE ASSEMBLY	81,90
3	102021	CL50A PUSHER KNOB SPACER	4,85
4	29738	CL50 (D) PUSHER GUIDE	99,10
5	39097	PUSHER GUIDE ASSEMBLY	103,75
6	100638	CL50A HEX BUSH-PUSHER GUIDE	1,45
7	39098	JAW SHAFT ASSEMBLY	31,90
8	29501	LOCK LATCH ASSY	47,20
9	29629	CL50D/ULTRA DRIVE SHAFT ASS KIT	156,15
10	504219	42X2 NBR70 TORIC SEAL	0,25
11	39197	CL50D SEAL ASSEMBLY	23,05
12	110308	R501U SHAFT PIN MOTOR	2,00
13	118373	CL50 (D) DRIVE SHAFT	86,65
14	203107	CL50D/ULTRA DRIVE SHAFT WASHER	3,50
15	29630	CL50D DRIVE SHAFT BEARING	16,10
16	117692	CL50D SUPPORT BRACE	3,05
17	117689	CL50D MOTOR SUPPORT	27,35
18	502768	CLAVETTE 4X4X16	Contact us
19	117681	CAPOT CL50 BAS PLASTIQUE	Contact us
20	117579	CL50C FOOT	0,85
21	118387	VIS FIX CAPOT SURMOULE	Contact us
22	118324	CL52D ROUND PUSHER	6,50
23	29058	CL60 HINGE BUSH KIT	6,25
24	118376	VEG SLICER LID	148,15
25	102690	CL50 D SLING PLATE	10,90
26	29061	CL50A HINGE PIN	18,65
27	29451	CL50D REED SWITCH	13,75
28	29628	CL50D BOWL ASSEMBLY	328,00
29	39200	CL50D BOWL ASSEMBLY	343,35
30	502170	CL60 (D) GREEN LOW SPEED SWITCH TOP	12,45
31	502169	CL60 (D) RED SWITCH TOP	12,45
32	406514	CL50D FRONT PLATE	13,60
33	117703	R301U (C) PCB KEY	0,55
34	29533	MOUNT SPACER FOR PCB	11,95
35	39198	CL50D RECEPT SHAFT ASSY	163,50
36	101547	CL50D DEFLECTOR	Contact us
37	501678	REDUCTOR PLATE + RINGS	6,40
38	104287	CL50 D DRIVING SHAFT	Contact us
39	515482	BELT	47,10
40	117682	CL50C/ULTRA ALLOY DRIVE PULLEY	8,15
41	515515	CL60 CABLE GROMMET	3,45

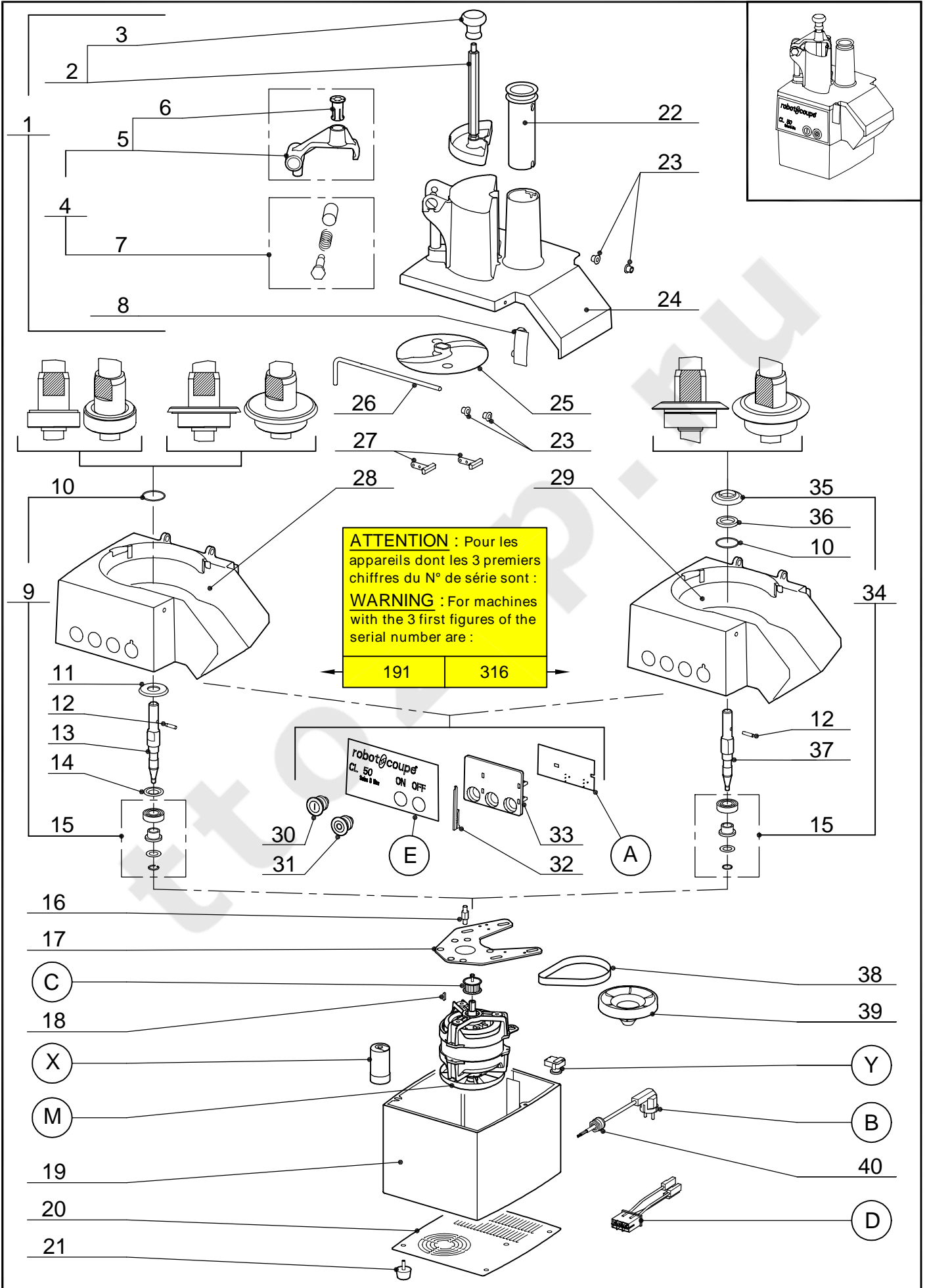
N°	M	Voltage	A	B	C	D	X	Y	
24340	3114 150,65	230 / 50 / 1	102480 48,10	507026 10,00	29530 54,85	29599 6,85	600018 12,30	500289 13,10	
24343	3116 150,65	220 / 60 / 1	102480 48,10	507026 10,00	29530 54,85	29599 6,85	603669 10,55	500289 13,10	
24344	3115 150,65	115 / 60 / 1	102480 48,10	507027 10,00	29530 54,85	29599 6,85	603669 10,55	500296 13,10	
24345	303080 175,80	400 / 50 / 3	102479 74,80	515570 29,95	29532 54,85	29600 6,85	---	---	
24346	303077 175,80	220 / 60 / 3	102479 74,80	515570 29,95	29532 54,85	29600 6,85	---	---	
24347	303078 175,80	380 / 60 / 3	102479 74,80	515570 29,95	29532 54,85	29600 6,85	---	---	



- (A)** CL50C SINGLE PHASE CIRCUIT BOARD
- (B)** POWER CORD
- (C)** MOTOR DRIVE PULLEY
- (M)** CL50 ULTRA MOTOR 240V 50HZ
- (X)** CAPACITOR
- (Y)** MOTOR RELAY

INDEX	REF.	DESIGNATION	Pricelist in : EUR
1	100062	CL50A SLING PLATE	10,90
2	29061	CL50A HINGE PIN	18,65
3	29536	CL50C/ULTRA REED SWITCH LID	48,10
4	405976	CL50 FRONT PLATE	13,55
5	502170	CL60 (D) GREEN LOW SPEED SWITCH TOP	12,45
6	502169	CL60 (D) RED SWITCH TOP	12,45
7	117703	R301U (C) PCB KEY	0,55
8	29533	MOUNT SPACER FOR PCB	11,95
9	117692	CL50D SUPPORT BRACE	3,05
10	117689	CL50D MOTOR SUPPORT	27,35
11	117687	CL52 BASE PLATE	42,55
12	500247	R4 RUBBER FOOT	1,35
13	102021	CL50A PUSHER KNOB SPACER	4,85
14	29060	R501Ua PUSHER PLATE ASSEMBLY	81,90
15	100709	CL50A PUSHER-ROUND	6,50
16	29064	PUSHER GUIDE ASS	99,10
17	100680	CL50A LID ONLY	148,15
18	29066	R501U LID LOCK CLAMP-NS	47,20
19	29078	R501U VEG LID ASSEMBLY	392,90
20	29058	CL60 HINGE BUSH KIT	6,25
21	29529	CL50C TOP CASING	313,90
22	501624	R502/602 MOTOR SEAL	3,15
23	29537	LID ILS ASS	48,10
24	110308	R501U SHAFT PIN MOTOR	2,00
25	117688	CL50C/ULTRA DRIVE SHAFT	86,65
26	515493	CL401 SHAFT BUSH-METAL	2,85
27	203064	RUBBING WASHER	0,70
28	203065	CL50C ST ST CIRCLIP	0,85
29	29523	TRANSMISSION SHAFT ASS	156,15
30	117682	CL50C/ULTRA ALLOY DRIVE PULLEY	8,15
31	515482	BELT	47,10
32	117686	CL50 C ULTRA COVER BASE	133,70
33	515515	CL60 CABLE GROMMET	3,45

N°	M	Voltage	A	B	C	X	Y
24267	3095 150,70	115 / 60 / 1	102480 48,10	507027 10,00	29530 54,85	603669 10,55	500296 13,10
24268	3096 150,70	220 / 50 / 1	102480 48,10	507026 10,00	29530 54,85	600018 12,30	500289 13,10
24269	3097 150,70	220 / 60 / 1	102480 48,10	507026 10,00	29530 54,85	603669 10,55	500289 13,10
24285 ISR	3096 150,70	240 / 50 / 1	102480 48,10	507026 10,00	29530 54,85	600018 12,30	500289 13,10
24270	303038 175,80	220 / 60 / 3	102479 74,80	515570 29,95	29532 54,85	---	---
24273	303035 175,80	380 / 50 / 3	102479 74,80	515570 29,95	29532 54,85	---	---
24274	303037 183,95	380 / 60 / 3	102479 74,80	515570 29,95	29532 54,85	---	---
24276 ISR	303035 175,80	380 / 50 / 3	102479 74,80	515570 29,95	29532 54,85	---	---



- (A)** CL50C SINGLE PHASE CIRCUIT BOARD
- (B)** 2P+EARTH CL50D DK POWER CORD
- (C)** MOTOR DRIVE PULLEY
- (D)** CL50D PCB CONNECTOR
- (E)** CL50D ULTRA FRONT PLATE
- (M)** CL50 D MOTOR 240V 50HZ
- (X)** CAPACITOR
- (Y)** MOTOR RELAY

INDEX	REF.	DESIGNATION	Pricelist in : EUR
1	29627	CL50D VEG LID ASSEMBLY	392,90
2	29060	R501Ua PUSHER PLATE ASSEMBLY	81,90
3	102021	CL50A PUSHER KNOB SPACER	4,85
4	29738	CL50 (D) PUSHER GUIDE	99,10
5	39097	PUSHER GUIDE ASSEMBLY	103,75
6	100638	CL50A HEX BUSH-PUSHER GUIDE	1,45
7	39098	JAW SHAFT ASSEMBLY	31,90
8	29501	LOCK LATCH ASSY	47,20
9	29629	CL50D/ULTRA DRIVE SHAFT ASS KIT	156,15
10	504219	42X2 NBR70 TORIC SEAL	0,25
11	39197	CL50D SEAL ASSEMBLY	23,05
12	110308	R501U SHAFT PIN MOTOR	2,00
13	118373	CL50 (D) DRIVE SHAFT	86,65
14	203107	CL50D/ULTRA DRIVE SHAFT WASHER	3,50
15	29630	CL50D DRIVE SHAFT BEARING	16,10
16	117692	CL50D SUPPORT BRACE	3,05
17	117689	CL50D MOTOR SUPPORT	27,35
18	502768	CLAVETTE 4X4X16	Contact us
19	117686	CL50 C ULTRA COVER BASE	133,70
20	117687	CL52 BASE PLATE	42,55
21	500247	R4 RUBBER FOOT	1,35
22	118324	CL52D ROUND PUSHER	6,50
23	29058	CL60 HINGE BUSH KIT	6,25
24	118376	VEG SLICER LID	148,15
25	102690	CL50 D SLING PLATE	10,90
26	29061	CL50A HINGE PIN	18,65
27	29451	CL50D REED SWITCH	13,75
28	29628	CL50D BOWL ASSEMBLY	328,00
29	39200	CL50D BOWL ASSEMBLY	343,35
30	502170	CL60 (D) GREEN LOW SPEED SWITCH TOP	12,45
31	502169	CL60 (D) RED SWITCH TOP	12,45
32	117703	R301U (C) PCB KEY	0,55
33	29533	MOUNT SPACER FOR PCB	11,95
34	39198	CL50D RECEPT SHAFT ASSY	163,50
35	101547	CL50D DEFLECTOR	Contact us
36	501678	REDUCTOR PLATE + RINGS	6,40
37	104287	CL50 D DRIVING SHAFT	Contact us
38	515482	BELT	47,10
39	117682	CL50C/ULTRA ALLOY DRIVE PULLEY	8,15
40	515515	CL60 CABLE GROMMET	3,45

N°	M	Voltage	A	B	C	D	E	X	Y	
24350	3114 150,65	230 / 50 / 1	102480 48,10	507026 10,00	29530 54,85	29599 6,85	406515 13,60	600018 12,30	500289 13,10	
24353	3116 150,65	220 / 60 / 1	102480 48,10	507026 10,00	29530 54,85	29599 6,85	406515 13,60	603669 10,55	500289 13,10	
24354	3115 150,65	115 / 60 / 1	102480 48,10	507027 10,00	29530 54,85	29599 6,85	406515 13,60	603669 10,55	500296 13,10	
24355	303080 175,80	400 / 50 / 3	102479 74,80	515570 29,95	29532 54,85	29600 6,85	406515 13,60	---	---	
24356	303077 175,80	220 / 60 / 3	102479 74,80	515570 29,95	29532 54,85	29600 6,85	406515 13,60	---	---	
24357	303078 175,80	380 / 60 / 3	102479 74,80	515570 29,95	29532 54,85	29600 6,85	406515 13,60	---	---	